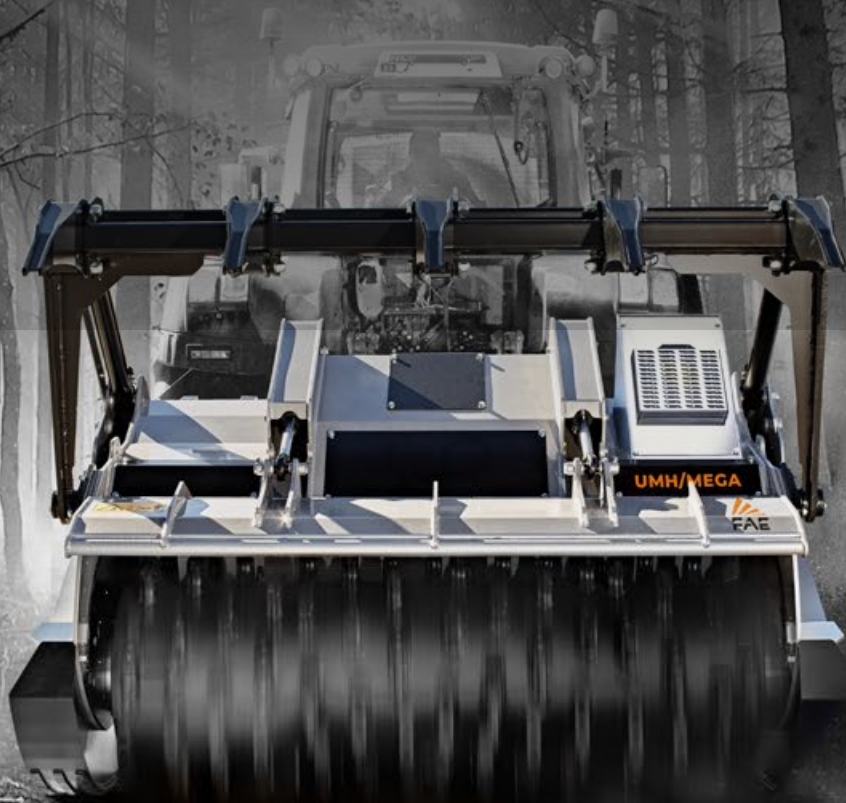




LAND CLEARING PTO Driven Heads



| | |
|--|------------------------------|
| 6 ABOUT FAE | 48 STUMP CUTTERS |
| 8 MAKE THE DIFFERENCE | 52 SCH |
| 10 RIGHT TO THE HEART OF POWER | 54 SCH/GT |
| 12 LAND CLEARING PTO DRIVEN HEADS | 56 STONE CRUSHERS |
| 14 FORESTRY MULCHERS | 60 STCL |
| 18 PATRIZIO | 62 STCM |
| 20 UML - FML | 64 STCH |
| 22 UML/LOW | 66 RSL |
| 24 UML/DT - FML/DT | 68 RSM |
| 26 UML/S | 70 RSH |
| 28 UMM | 72 MULTITASKS |
| 30 UMM/S | 76 SFL |
| 32 UMH/S | 78 SFM |
| 34 UMH/MEGA | 80 SFH |
| 36 FORESTRY TILLERS | 82 ORIGINAL FAE TOOLS |
| 40 SSL/SPEED | |
| 42 SSL | |
| 44 SSM - New | |
| 46 SSH | |



MAKE THE **DIFFERENCE**

At FAE, every machine, accessory and optional component is designed with utmost precision, the highest quality materials and the most advanced technology.

Each detail is designed to make the execution of the tasks as quick and efficient as possible and for the specific applications, conditions and environment where it will be carried out.

Every FAE machine and accessory was created to make a difference at work and, given the importance of many of the applications we work on, for the planet. This is why each member of our team, each partner and customer works daily.

ABOUT **FAE**

With a range of over 90 products and 400 models, FAE can meet the most diverse demands for forestry, agricultural, road construction, building and demining applications. The FAE product range includes heads for tractors, excavators, skid steer loaders, special vehicles and tracked vehicles, with cabins or remote controlled. FAE was founded in 1989, and the company's main office is still located in Fondo, Italy. Production, sales, after-sales service and parts services are handled by our 3 production sites, the main office, 6 commercial branches and a network of authorized dealers all over the world.



GLOBAL QUALITY

Our precision design and production processes use advanced technologies to ensure long-term performance and reliability.

CONSTANT INNOVATION

We design unique and cutting-edge products based on customers' specific needs for solutions that pave the way to the future.

COMPLETE PRODUCT LINE

We offer an extensive product range and a high degree of customization to make each process more efficient more productive and easier.

TOTAL SUPPORT

We make our vast range of machines, dedicated accessories and components, as well as our technical assistance available worldwide.

MAKE THE DIFFERENCE

Our machines are designed with special attention to detail. Starting from the technical design to our choice of high quality materials, our machines are highly resistant to wear and tear. The FAE brand is always recognized for its high quality standards.

1

2

3

4

5

6

7

8

1 / Recessed bolts to protect from wear

2 / Conical hitch for 3-point linkage arms

3 / Access points to facilitate the maintenance

4 / Side Protection

5 / Hose Protection

6 / Forged and hardened stub axles bolted on the rotors

7 / Adjustable Hardox® counter-blade

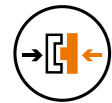
8 / Inner anti wear clad plate FCP



Internal interchangeable counter-blade.

RIGHT TO THE HEART OF THE POWER

The spiral rotor design reduces the power requirement



EASIER ON THE TRACTOR ENGINE



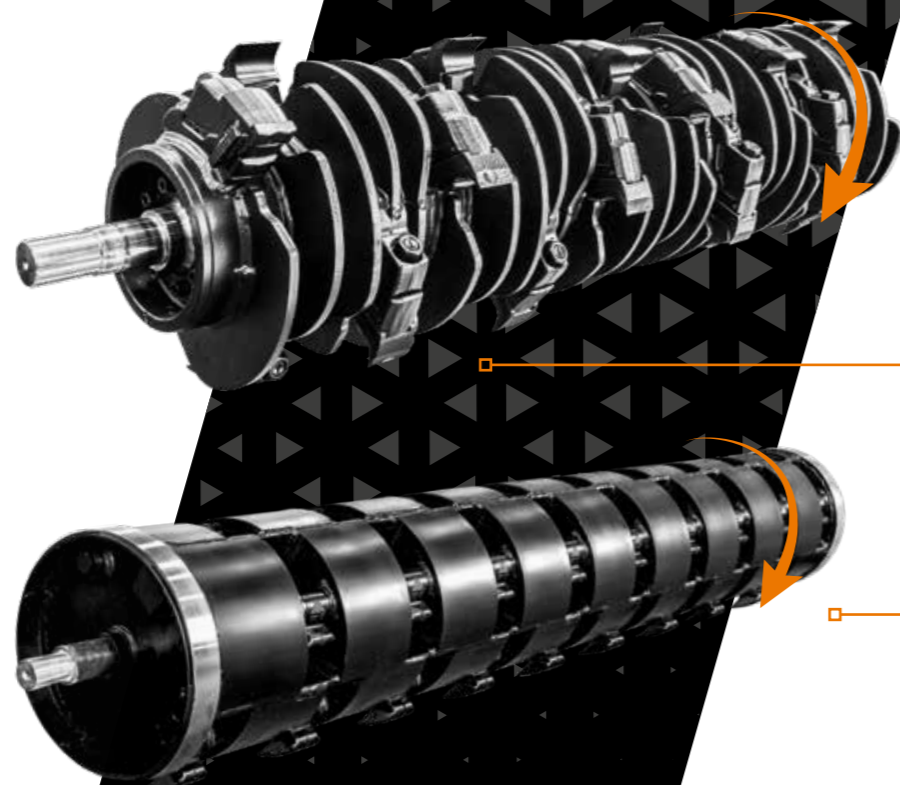
FINER, MORE CONSISTENT FINAL PRODUCT



LESS FUEL CONSUMPTION



HIGHER PRODUCTIVITY



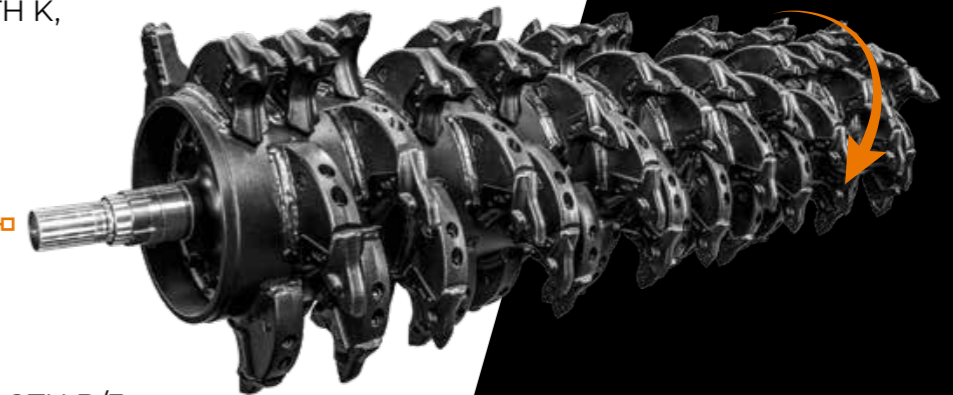
Forestry rotor with double carbide teeth

Ideal for heavy duty forestry applications (above ground mulching). Resistant to impact and wear. This rotor can be fitted with different tool types: TOOTH C/3, TOOTH C/3/HD, TOOTH STCL/3, TOOTH I, TOOTH K, BLADE BL.



Forestry rotor with single carbide teeth

Ideal for grinding stumps above and below ground. This rotor can be fitted with different tool types: TOOTH A/3, TOOTH A/3/HD, TOOTH B/3, TOOTH B/3/HD, TOOTH F/3, TOOTH G/3.



Rock crusher rotor

To achieve perfect sizing of the final product in agriculture land reclamation. This rotor can be fitted with different tool types: TOOTH STC/3, TOOTH STC/3/HD, TOOTH STC/3/FP.



Bite Limiter

Special steel limiter rings control the depth of blade action.

Swinging hammer rotor

Ideal for applications with high presence of rocks. This rotor can be fitted with HAMMER FMM.

LAND CLEARING **PTO DRIVEN HEADS**

Our mechanical PTO heads stand up to any shredding and mulching task with exceptional results. Designed for the intended use and the power of the vehicle they are mounted on, all of our forestry mulchers and tillers, stone crushers, stump cutters and multi-purpose heads provide unparalleled performance in every situation.



FORESTRY MULCHERS

Our forestry mulchers combine quality and efficiency with the longest lasting components. Applications include shredding trees, bushes, leftover trimmings, crop debris, and underbrush. Our mulchers allow you to work in narrow spaces or where maneuvering is limited, thanks to their compact design.



PaTrizio
FAE's small mulcher with Bite Limiter technology for tractors.



UML - FML
Mulchers with fixed teeth / swinging hammer rotors for tractors.



UML/LOW
Fixed-tooth mulcher for low profile tractors.



UML/DT - FML/DT
Forestry mulcher with fixed tooth rotor (UML/DT) or swinging hammer rotor (FML/DT).



UML/S
Forestry mulcher for PTO tractors with fixed tooth rotor.



UMM
Forestry mulcher for PTO tractors with fixed tooth rotor.



UMM/S
Forestry mulchers for PTO tractors with fixed tooth rotor.



UMH/S
Forestry mulchers for PTO tractors with fixed tooth rotor.



UMH/MEGA
Forestry mulcher for PTO tractors with fixed tooth rotor.



THE SOLUTION TO ALL YOUR NEEDS.

| MODEL | 0 - 100 hp | 100 - 200 hp | 200 - 300 hp | 300 - 400 hp | 400 - 500 hp |
|-----------------|-------------|--------------|--------------|--------------|--------------|
| PaTrizi® | 50 - 100 hp | | | | |
| UML - FML | 50 - 110 hp | | | | |
| UML/LOW | 60 - 110 hp | | | | |
| UML/DT - FML/DT | 80 - 130 hp | | | | |
| UML/S | | 130 - 190 hp | | | |
| UMM | | 160 - 240 hp | | | |
| UMM/S | | | 180 - 350 hp | | |
| UMH/S | | | 240 - 500 hp | | |
| UMH/MEGA | | | | 350 - 500 hp | |

FORESTRY MULCHERS

PaTriziO

FAE's small mulcher with Bite Limiter technology for tractors.

PaTriziO mulcher works on trees branches and bushes up to 15 cm in diameter and is great for mulching pruning debris. The rotor features Bite Limiter technology. Steel limiter rings limit the depth of cut, reducing power demand and guaranteeing exceptional performance.

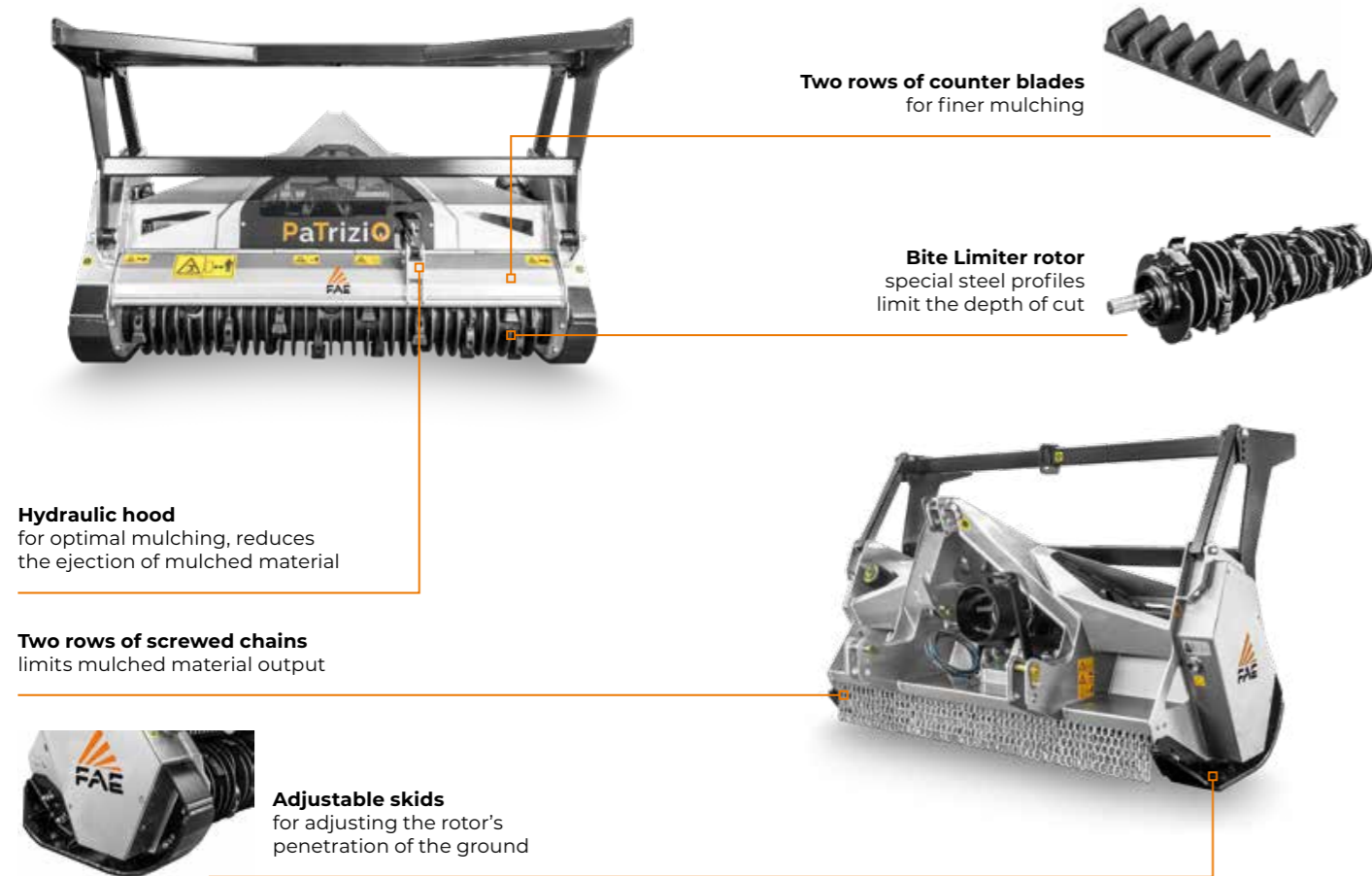
PaTriziO has adjustable and interchangeable bolted skids, two rows of counter blades for fine, even mulching, a hydraulic hood with built-in cylinder protected by the machine body, and a heat-treated forged-steel tooth holder with BL/MINI blades and C/3/MINI teeth.



50-100 hp



Ø 15 cm max



STANDARD EQUIPMENT

| | |
|-------------------------|--|
| Hydraulic rear hood | PTO shaft with cam clutch |
| Enclosed machine body | Bolted-on rotor shafts (in forged steel) |
| Cylinder protection | Bite Limiter Rotor |
| Protection chains | Welded steel counter-blades |
| Transmission with belts | Adjustable skids |
| Gearbox with freewheel | |

OPTIONS

| | |
|---|------------------------|
| Frontal attachment | Hydraulic top link |
| Multiple tooth options | Mechanical guard frame |
| Possibility to choose transmission 540 / 1000 rpm | |

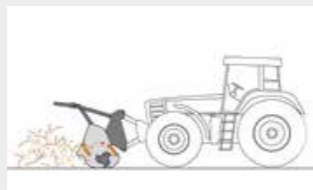
| MODEL | PaTriziO-150 | PaTriziO-175 | PaTriziO-200 |
|------------------------------------|--------------|--------------|--------------|
| Tractor (hp) | 50-100 | 50-100 | 50-100 |
| PTO (rpm) | 540-1000 | 540-1000 | 540-1000 |
| Working width (mm) | 1480 | 1720 | 1960 |
| Total width (mm) | 1746 | 1986 | 2226 |
| Weight (kg) | 780 | 880 | 980 |
| Rotor diameter (mm) | 370 | 370 | 370 |
| Max shredding diameter (mm) | 150 | 150 | 150 |
| No. blades type BL/MINI | 28 | 32 | 36 |

Data refers to machine as standard. The technical data in this catalogue may be altered without prior notice.

MAIN OPTIONS



Mechanical guard frame
guides the material
before mulching



Frontal attachment



BLADE BL/MINI
(standard)



TOOTH C/3/MINI
(option)

FORESTRY MULCHERS

UML - FML

Mulchers with fixed teeth / swinging hammer rotors for tractors.

The UML and the FML are mulchers designed and built to be used with tractors or low-power mechanical PTO vehicles (50 to 110 hp) for all shredding work involving bushes, branches, and trees with max. diameter of 20 cm. Their compact size, superior performance, and sturdiness make them ideal in every situation.

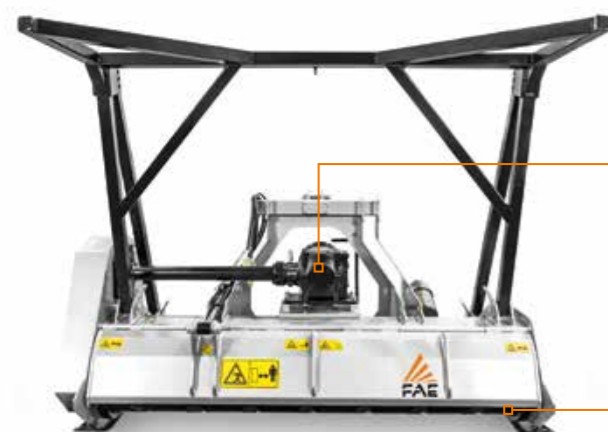
The UML has a fixed-tooth rotor that makes it possible to choose between blades, Tungsten Carbide cutting tools or durable teeth suitable for rocky soil. The FML is built with a swinging hammer rotor.



50-110 hp



Ø 20 cm max



Mechanical push frame (optional)

Reversible gear box for frontal attachment (optional)



Rotor with fixed (UML) or swinging hammers (FML)



STANDARD EQUIPMENT

| | |
|---|--|
| Hydraulic rear hood | PTO shaft (FML) |
| Dual row protection chains | PTO shaft with cam clutch (UML) |
| Transmission with belts | Bolted-on rotor shafts (in forged steel) (UML) |
| Gearbox with freewheel | Welded steel counter-blades |
| Possibility to choose Transmission 540 / 1000 rpm | Adjustable skids |

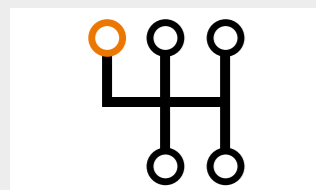
OPTIONS

| | |
|------------------------------|---------------------------------------|
| Frontal attachment | Hydraulic top link |
| Extended 3 point linkage | Special skids to go underground (UML) |
| Multiple tooth options (UML) | Mechanical guard frame |

| MODEL | UML-125 | UML-150 | UML-175 | UML-200 | FML-125 | FML-150 | FML-175 | FML-200 |
|-----------------------------|------------|------------|------------|------------|------------|------------|------------|------------|
| Tractor (hp) | 50-110 | 60-110 | 70-110 | 80-110 | 50-100 | 60-110 | 70-110 | 80-110 |
| PTO (rpm) | 540 - 1000 | 540 - 1000 | 540 - 1000 | 540 - 1000 | 540 - 1000 | 540 - 1000 | 540 - 1000 | 540 - 1000 |
| Working width (mm) | 1342 | 1582 | 1822 | 2062 | 1340 | 1580 | 1820 | 2060 |
| Total width (mm) | 1637 | 1877 | 2117 | 2357 | 1637 | 1877 | 2117 | 2357 |
| Weight (kg) | 840 | 930 | 1060 | 1190 | 820 | 890 | 950 | 1020 |
| Rotor diameter (mm) | 425 | 425 | 425 | 425 | 425 | 425 | 425 | 425 |
| Max shredding diameter (mm) | 200 | 200 | 200 | 200 | 200 | 200 | 200 | 200 |
| No. teeth type C/3+C/3/SS | 26+2 | 32+2 | 36+2 | 42+2 | - | - | - | - |
| type I+C/3/SS | 36+2 | 42+2 | 50+2 | 58+2 | - | - | - | - |
| No. hammers type FMM | - | - | - | - | 20 | 24 | 28 | 32 |

Data refers to machine as standard. The technical data in this catalogue may be altered without prior notice.

MAIN OPTIONS



Possibility to choose transmission 540 rpm and 1000 rpm



Frontal attachment



Mechanical push frame guides and pushes material away from carrier

ROTOR TYPE C



TOOTH C/3 (standard)



TOOTH C/3/HD (option)



BLADE BL (option - requires adaptor)



TOOTH K/3 (option)

ROTOR TYPE I



TOOTH I (option)



TOOTH C/3/SS (side scraper)



HAMMER FMM (standard)

FORESTRY MULCHERS

UML/LOW

Fixed-tooth mulcher for low profile tractors.

Its compact size and design features make the UML/LOW forestry mulcher perfect for tracked or wheeled tractors, even in orchards or vineyards. It works with 60-110 hp tractors and shreds bushes, branches and trees up to 20 cm in diameter.

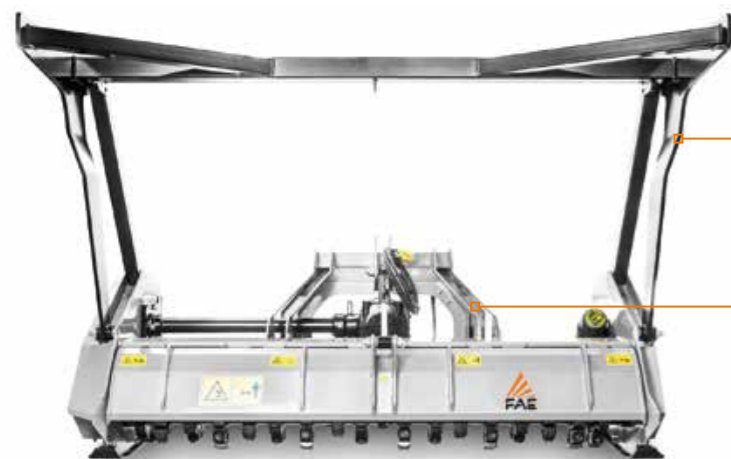
The low PTO helps the main universal joint work at the best angle, and its frame has been reinforced to withstand the axial loads caused when steering the carrier. Choose between blades or durable teeth suitable for rocky soil.



60-110 hp



Ø 20 cm max



Mechanical push frame
(optional)

Heavy duty reinforced frame



Adjustable skids

STANDARD EQUIPMENT

| | |
|---|--|
| Hydraulic rear hood | PTO shaft with cam clutch |
| Dual row protection chains | Bolted-on rotor shafts (in forged steel) |
| Transmission with belts | Welded steel counter-blades |
| Gearbox with freewheel | Adjustable skids |
| Possibility to choose Transmission 540 / 1000 rpm | |

OPTIONS

| | |
|------------------------|---------------------------------|
| Multiple tooth options | Special skids to go underground |
| Hydraulic top link | Mechanical guard frame |

| MODEL | UML/LOW-150 | UML/LOW-175 | UML/LOW-200 |
|------------------------------------|-------------|-------------|-------------|
| Tractor (hp) | 60-100 | 70-110 | 80-110 |
| PTO (rpm) | 540-1000 | 540-1000 | 540-1000 |
| Working width (mm) | 1582 | 1822 | 2062 |
| Total width (mm) | 1877 | 2117 | 2357 |
| Weight (kg) | 930 | 1060 | 1190 |
| Rotor diameter (mm) | 425 | 425 | 425 |
| Max shredding diameter (mm) | 200 | 200 | 200 |
| No. teeth type C/3+C/3/SS | 32+2 | 36+2 | 42+2 |
| type I+C/3/SS | 42+2 | 50+2 | 58+2 |

Data refers to machine as standard. The technical data in this catalogue may be altered without prior notice.

MAIN OPTIONS



Mechanical push frame
guides and pushes material
away from carrier



**Special skids to go
underground**



Mulcher designed for tractors with a low profile PTO

ROTOR TYPE C



TOOTH C/3
(standard)



TOOTH C/3/HD
(option)



BLADE BL
(option - requires
adaptor)



TOOTH K/3
(option)

ROTOR TYPE I



TOOTH I
(option)



TOOTH C/3/SS
(side scraper)

FORESTRY MULCHERS

UML/DT - FML/DT

Forestry mulcher with fixed tooth rotor (UML/DT) or swinging hammer rotor (FML/DT).

A high production forestry mulcher with the strength to mulch bushes, crop residue, and trees up to a maximum 25 cm in diameter. The UML/DT - FML/DT has a compact size and heavy duty construction making it an ideal solution for many different applications.

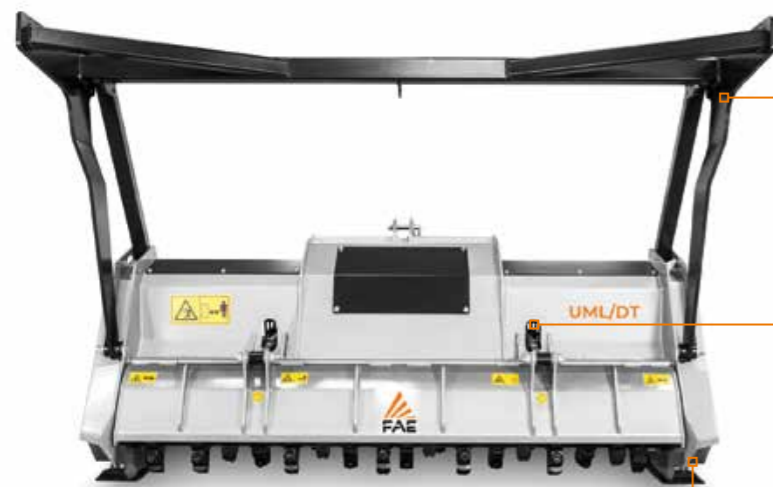
The dual transmission allows for better power distribution, giving the mulcher better mechanical advantage when working in heavy material.



80-130 hp



Ø 25 cm max



Mechanical guard frame (optional)

Hydraulically controlled rear door with two cylinders for better reliability



Heavy duty skids

Transmission with belts in XPB



Adjustable skids

STANDARD EQUIPMENT

| | |
|---|---|
| Hydraulic rear hood | Gearbox with freewheel |
| Enclosed machine body | PTO shaft with cam clutch (UML/DT) |
| Centralized greasing hub | PTO shaft (FML/DT) |
| Hydraulic hoses integrated in the frame | Bolted-on rotor shafts (in forged steel) (UML/DT) |
| Cylinder protection | Welded steel counter-blades |
| Dual row protection chains | Adjustable skids |
| Transmission with belts | |

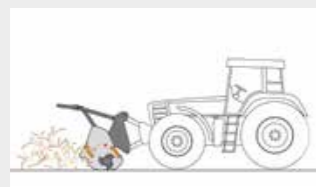
OPTIONS

| | |
|--|--|
| Frontal attachment | Hydraulic top link |
| Extended 3 point linkage | Special skids to go underground (UML/DT) |
| Bolt-on chain's protection plates (UML/DT) | Mechanical guard frame |
| Multiple tooth options (UML/DT) | Hydraulic guard frame |

| MODEL | UML/DT-200 | UML/DT-225 | FML/DT-200 | FML/DT-225 |
|------------------------------------|------------|------------|------------|------------|
| Tractor (hp) | 80-130 | 90-130 | 80-130 | 90-130 |
| PTO (rpm) | 1000 | 1000 | 1000 | 1000 |
| Working width (mm) | 2062 | 2334 | 2062 | 2334 |
| Total width (mm) | 2342 | 2582 | 2302 | 2574 |
| Weight (kg) | 1500 | 1600 | 1350 | 1460 |
| Rotor diameter (mm) | 425 | 425 | 425 | 425 |
| Max shredding diameter (mm) | 250 | 250 | 250 | 250 |
| No. teeth type C/3+C/3/SS | 42+2 | 46+2 | - | - |
| type I+C/3/SS | 58+2 | 66+2 | - | - |
| No. hammers type FMM | - | - | 32 | 36 |

Data refers to machine as standard. The technical data in this catalogue may be altered without prior notice.

MAIN OPTIONS



Frontal attachment



Mechanical or hydraulic guard frame guides and pushes material away from carrier



Extended 3 point linkage

ROTOR TYPE C



TOOTH C/3 (standard)



TOOTH C/3/HD (option)



BLADE BL (option - requires adaptor)



TOOTH K/3 (option)

ROTOR TYPE I



TOOTH I (option)



TOOTH C/3/SS (side scraper)



HAMMER FMM (standard)

FORESTRY MULCHERS

UML/S

Forestry mulcher for PTO tractors with fixed tooth rotor.

The UML/S is a professional forestry mulcher with a fixed rotor system and a mulching capacity up to 25 cm diameter. This unit is ideal for land clearing applications. The frame makes the mulcher more maneuverable when working on steep slopes and in extreme conditions.

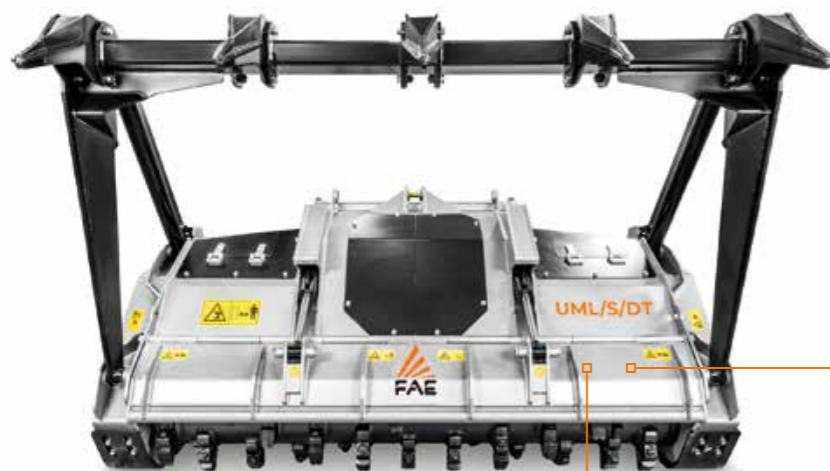
This model features the interchangeable Spike counterblades, adjustable skeeds and inner anti-wear clades, as standard equipment. As an option, the UML/S can mount mechanical or hydraulic guard frame with ripper guide pins.



130-190 hp



Ø 25 cm max



Interchangeable bolted on spike counter blade can adjust final product size while operating



Inner anti wear clad plates FCP absorbs wear while protecting the frame



Z style self ranging system of the PTO drive shaft/gearbox always keeps the correct operating angle between the PTO shaft and the power take-off (optional)

MAIN OPTIONS



Extra ripper for push frame



Special skids to go underground



W style self aligning device between PTO drive shaft/gearbox allows the mulcher to work in several angles without damaging the PTO

STANDARD EQUIPMENT

| | |
|---|---|
| Hydraulic rear hood | Transmission with belts |
| Inner anti wear clad plates FCP | Gearbox with freewheel |
| Enclosed machine body | PTO shaft with cam clutch |
| Centralized greasing hub | Bolted-on rotor shafts (in forged steel) |
| Hydraulic hoses integrated in the frame | Interchangeable bolted on spike counter-blade |
| Cylinder protection | Adjustable skids |
| Bolted on protection chains | Supporting service leg |

OPTIONS

| | |
|--|--|
| Frontal attachment (UML/S/DT-225) | W style self aligning device between PTO drive shaft/gearbox |
| Bolt-on chain's protection plates | Special skids to go underground |
| Multiple tooth options | Mechanical guard frame |
| Hydraulic top link | Hydraulic guard frame |
| Z style self ranging system of the PTO drive shaft/gearbox | Extra ripper for guard frame |

| MODEL | UML/S/DT-200 | UML/S/DT-225 |
|-----------------------------|--------------|--------------|
| Tractor (hp) | 130-190 | 130-190 |
| PTO (rpm) | 1000 | 1000 |
| Working width (mm) | 2067 | 2307 |
| Total width (mm) | 2430 | 2670 |
| Weight (kg) | 1690 | 1825 |
| Rotor diameter (mm) | 450 | 450 |
| Max shredding diameter (mm) | 250 | 250 |
| No. teeth type C/3+C/3/SS | 42+2 | 48+4 |
| type I+C/3/SS | 60+2 | 66+2 |

Data refers to machine as standard. The technical data in this catalogue may be altered without prior notice.

ROTOR TYPE C



TOOTH C/3 (standard)



TOOTH C/3/HD (option)



BLADE BL (option - requires adaptor)



TOOTH K/3 (option)

ROTOR TYPE I



TOOTH I (option)



TOOTH C/3/SS (side scraper)


FORESTRY MULCHERS


UMM

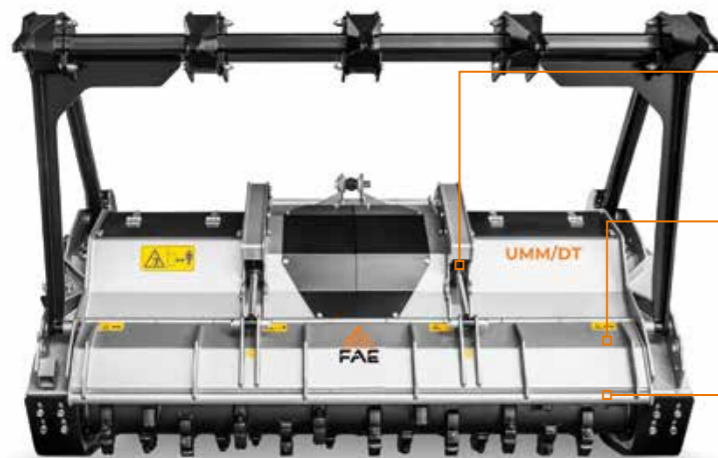
Forestry mulcher for PTO tractors with fixed tooth rotor.

The UMM is a professional forestry mulcher with a fixed rotor system and a mulching capacity up to 30 cm in diameter. This unit is ideal for heavy land clearing applications. The frame has been completely redesigned and it makes the mulcher more maneuverable when working on steep slopes and in extreme conditions.

This model features the new counterblade Spike PRO as standard equipment, and features the new hydrodynamic joints as an option. The UMM also features interchangeable antiwear plates in Hardox® steel, new centralized greasing system and guide frame with Ripper guide pins.

 160-240 hp

 Ø 30 cm max



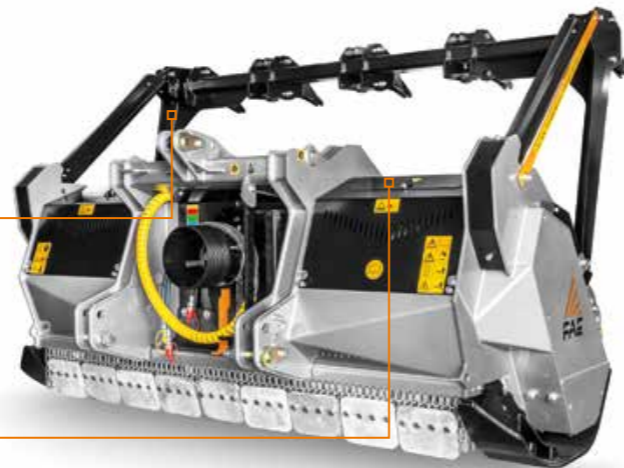
Cylinder protection
to prevent cylinder damage

Reinforced hydraulic hood
helps provide a finer product while being more durable

Forged and hardened interchangeable counter-blades
for the longest working life while providing a finer product



Z style self ranging system of the PTO drive shaft/gearbox
helps keep the correct operating angle between the PTO shaft and the power take-off



Centralized greasing hub
allows easy maintenance

MAIN OPTIONS



W style self aligning device between PTO drive shaft/gearbox
allows the mulcher to work in several angles without damaging the PTO



Standard hydraulic clutch transmission
protects the transmission at PTO engagement for smooth starting and improves machine performance



Mechanical/hydraulic push frame
guides and pushes material away from carrier



Additional ripper for push frame
helps with the positioning of standing material while mulching

STANDARD EQUIPMENT

| | |
|---|--|
| Hydraulic rear hood | Gearbox with freewheel |
| Enclosed machine body | PTO shaft with cam clutch |
| Centralized greasing hub | Bolted-on rotor shafts (in forged steel) |
| Hydraulic hoses integrated in the frame | Hydraulic top link |
| Cylinder protection | Z style self ranging system of the PTO drive shaft/gearbox |
| Dual row protection chains | Interchangeable bolted on spike PRO counter-blade |
| Transmission with belts | Adjustable skids |
| Supporting service leg | |

OPTIONS

| | |
|--|---------------------------------|
| Bolt-on chain's protection plates | Special skids to go underground |
| Hydraulic clutch transmission | Mechanical guard frame |
| Multiple tooth options | Hydraulic guard frame |
| W style self aligning device between PTO drive shaft/gearbox | Extra ripper for guard frame |

| MODEL | UMM/DT-200 | UMM/DT-225 | UMM/DT-250 |
|------------------------------------|------------|------------|------------|
| Tractor (hp) | 160-240 | 170-240 | 180-240 |
| PTO (rpm) | 1000 | 1000 | 1000 |
| Working width (mm) | 2070 | 2310 | 2550 |
| Total width (mm) | 2464 | 2704 | 2944 |
| Weight (kg) | 2305 | 2430 | 2500 |
| Rotor diameter (mm) | 500 | 500 | 500 |
| Max shredding diameter (mm) | 300 | 300 | 300 |
| No. teeth type C/3+C/3/SS | 42+2 | 46+2 | 52+2 |
| type I+C/3/SS | 68+2 | 78+2 | 86+2 |

Data refers to machine as standard. The technical data in this catalogue may be altered without prior notice.

ROTOR TYPE C



TOOTH C/3
(standard)



TOOTH C/3/HD
(option)



BLADE BL
(option - requires adaptor)



TOOTH K/3
(option)

ROTOR TYPE I



TOOTH I
(option)



TOOTH HC/3/SS
(side scraper)

FORESTRY MULCHERS

UMM/S

Forestry mulchers for PTO tractors with fixed tooth rotor.

High productivity, robustness and maneuverability are the main strengths of this mulcher with a fixed rotor system. The UMM/S is a very versatile model for tractors between 180 and 350 hp. It has a mulching capacity of up to 35 cm diameter material. The well distributed weight allows for great maneuverability also in steep and sloppy applications.

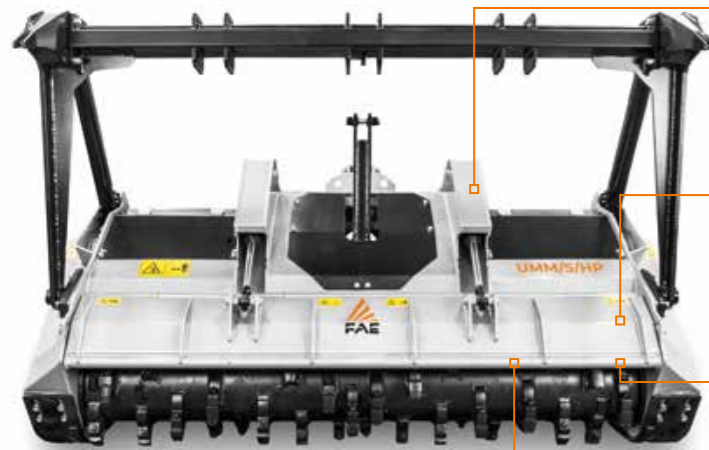
The alignment PTO system "W" connected to the central gearbox, allows for a wider working angle of the PTO shaft in all working conditions. This new model features the new counter-blade Spike PRO as standard equipment.



180-350 hp



Ø 35 cm max



Cylinder protection
to prevent cylinder damage

Reinforced hydraulic hood
helps provide a finer product while being more durable



Spike PRO counter-blade
the distribution of the new Spike PRO counter-blades inside the shredding chamber guarantees a better finish of the mulched material



Inner anti wear clad plates FCP
absorbs wear while protecting the frame

Z style self ranging system of the PTO drive shaft/gearbox
always keeps the correct operating angle between the PTO shaft and the power take-off

Bigger transmission
for tractors with power up to 350 hp

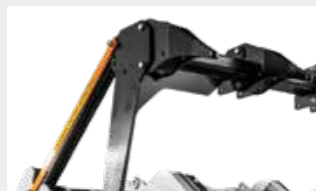
Adjustable extended 3 point linkage
fits perfectly with any kind of tractor



MAIN OPTIONS



W style self aligning device between PTO drive shaft/gearbox
allows the mulcher to work at several angles without damaging the PTO



Mechanical/hydraulic push frame
guides and pushes material away from carrier



Additional ripper for push frame
helps with the positioning of standing material while mulching



Standard hydraulic clutch transmission
protects the transmission at PTO engagement for smooth starting and improves machine performance

STANDARD EQUIPMENT

| | |
|---|--|
| Hydraulic rear hood | Gearbox with freewheel |
| Adjustable extended 3 point linkage | PTO shaft with cam clutch |
| Supporting service leg | Bolted-on rotor shafts (in forged steel) |
| Centralized greasing hub | Hydraulic top link |
| Hydraulic hoses integrated in the frame | Z style self ranging system of the PTO drive shaft/gearbox |
| Cylinder protection | Interchangeable bolted on spike PRO counter-blade |
| Dual row protection chains | Adjustable skids |
| Transmission with belts | Supporting service leg |

OPTIONS

| | |
|--|---------------------------------|
| Bolt-on chain's protection plates | Special skids to go underground |
| Hydraulic clutch transmission (UMM/S, UMM/S/HP-225 and UMM/S/HP-250) | Mechanical guard frame |
| Multiple tooth options | Hydraulic guard frame |
| W style self aligning device between PTO drive shaft/gearbox | Extra ripper for guard frame |

| MODEL | UMM/S-200 | UMM/S-225 | UMM/S-250 | UMM/S/HP-200 | UMM/S/HP-225 | UMM/S/HP-250 |
|---|-----------|-----------|-----------|--------------|--------------|--------------|
| Tractor (hp) | 180-280 | 190-280 | 200-280 | 180-350 | 190-350 | 200-350 |
| PTO (rpm) | 1000 | 1000 | 1000 | 1000 | 1000 | 1000 |
| Working width (mm) | 2064 | 2304 | 2544 | 2064 | 2304 | 2544 |
| Total width (mm) | 2494 | 2734 | 2974 | 2494 | 2734 | 2974 |
| Weight including rotor type C/3 (kg) | 2940 | 3070 | 3210 | 2980 | 3310 | 3450 |
| type B/3 (kg) | 3250 | 3360 | 3520 | 3280 | 3580 | 3870 |
| Rotor diameter (mm) | 595 | 595 | 595 | 595 | 595 | 595 |
| Max shredding diameter (mm) | 350 | 350 | 350 | 350 | 350 | 350 |
| No. teeth type B/3+C/3/SS | 72+2 | 80+2 | 92+2 | 72+2 | 80+2 | 92+2 |
| type C/3+C/3/SS | 44+2 | 50+2 | 56+2 | 44+2 | 50+2 | 56+2 |

Data refers to machine as standard. The technical data in this catalogue may be altered without prior notice.

ROTOR TYPE B



TOOTH B/3
(standard)



TOOTH B/3/HD
(option)

ROTOR TYPE C



TOOTH C/3
(standard)



TOOTH C/3/HD
(option)



TOOTH K/3
(option)



TOOTH C/3/SS
(side scraper)

FORESTRY MULCHERS

UMH/S

Forestry mulchers for PTO tractors with fixed tooth rotor.

The UMH/S is FAE's top of the line tractor mounted forestry mulcher. It is rated for trees up to 45 cm diameter and is designed to work with high horsepower tractors. The hydrodynamic joints and the Spike Pro counter-blades guarantee optimal performance and productivity. The ergonomics of the new, fully enclosed double layer "dustproof" frame is designed for maximum safety of the work and the operator. Finally, the large diameter of the rotor and the new Spike Pro counter-blades provide excellent homogenous shredding results. Backed by FAE's unparalleled engineering expertise, UMH/S/HP is built to last and delivers the maximum return on your investment.

The UMH/S is FAE's top of the line tractor mounted forestry mulcher. It is rated for trees up to 45 cm diameter and is designed to work with high horsepower tractors. The hydrodynamic joints and the Spike Pro counter-blades guarantee optimal performance and productivity. The ergonomics of the new, fully enclosed double layer "dustproof" frame is designed for maximum safety of the work and the operator. Finally, the large diameter of the rotor and the new Spike Pro counter-blades provide excellent homogenous shredding results. Backed by FAE's unparalleled engineering expertise, UMH/S/HP is built to last and delivers the maximum return on your investment.



240-500 hp



Ø 45 cm max



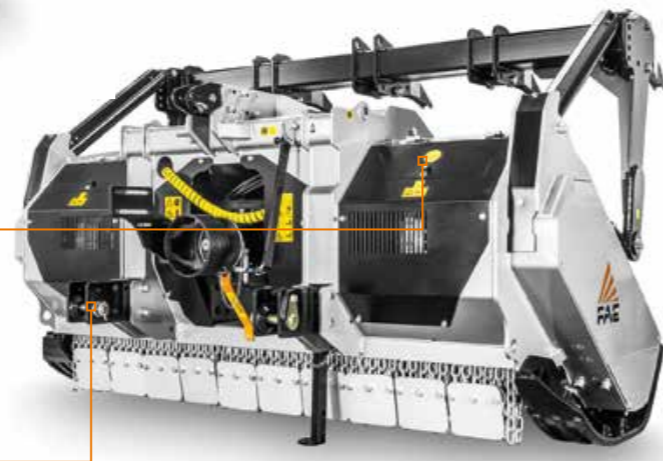
Spike Control Pro and their distribution produce a finer shredding result



Centralized greasing hub for easier maintenance



Adjustable extended 3 point hitch fits perfectly with any kind of tractor



MAIN OPTIONS



W style self-aligning device between PTO drive shaft/gearbox allows the mulcher to work at several angles without damaging the PTO



Hydraulic push frame guides and pushes material away from carrier



Additional ripper for push frame helps with the positioning of standing material while mulching



Standard hydraulic clutch transmission protects the transmission at PTO engagement for smooth starting and improves machine performance

STANDARD EQUIPMENT

| | |
|---|--|
| Hydraulic rear hood | Gearbox with oil cooling system (UMH/S/HP) |
| Inside lateral protection | PTO shaft |
| Adjustable extended 3 point linkage | Cam clutch on side PTO (UMH/S) |
| Enclosed machine body | Bolted-on rotor shafts (in forged steel) |
| Centralized greasing hub | Hydraulic top link |
| Hydraulic hoses integrated in the frame | Z style self ranging system of the PTO drive shaft/gearbox |
| Cylinder protection | Gearbox with freewheel |
| Bolted on protection chains | Interchangeable bolted on spike PRO counter-blade |
| Trapezoidal belts transmission (UMH/S) | Adjustable skids |
| Poly-Chain® belts transmission (UMH/S/HP) | Supporting service leg |
| Hydraulic clutch transmission (UMH/S/HP) | |

OPTIONS

| | |
|--|---------------------------------|
| Bolt-on chain's protection plates | Special skids to go underground |
| Hydraulic clutch transmission (UMH/S) | Hydraulic guard frame |
| Multiple tooth options | Extra ripper for guard frame |
| W style self-aligning device between PTO drive shaft/gearbox | |

| MODEL | UMH/S-225 | UMH/S-250 | UMH/S/HP-225 | UMH/S/HP-250 |
|---|-----------|-----------|--------------|--------------|
| Tractor (hp) | 240-400 | 250-400 | 350-500 | 350-500 |
| PTO (rpm) | 1000 | 1000 | 1000 | 1000 |
| Working width (mm) | 2320 | 2560 | 2320 | 2560 |
| Total width (mm) | 2760 | 3000 | 2760 | 3000 |
| Weight including rotor type C/3 (kg) | 4200 | 4440 | 5100 | 5200 |
| type A/3 (kg) | 4510 | 4660 | 5400 | 5500 |
| Rotor diameter (mm) | 680 | 680 | 680 | 680 |
| Max shredding diameter (mm) | 400 | 400 | 450 | 450 |
| No. teeth type A/3+MH/3 | 88+2 | 96+2 | 88+2 | 96+2 |
| type C/3+C/3/SS | 54+2 | 60+2 | 54+2 | 60+2 |

Data refers to machine as standard. The technical data in this catalogue may be altered without prior notice.

ROTOR TYPE A



TOOTH A/3 (standard)



TOOTH A/3/HD (option)



TOOTH MH/3 (side scraper)

ROTOR TYPE C



TOOTH C/3 (standard)



TOOTH C/3/HD (option)



TOOTH K/3 (option)



TOOTH C/3/SS (side scraper)

FORESTRY MULCHERS

UMH/MEGA

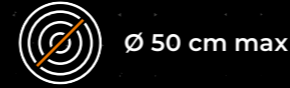
Forestry mulcher for PTO tractors with fixed tooth rotor.

UMH/MEGA is a unique forestry mulcher. It is designed for the most powerful tractors available, and allows you to work large areas in a quick and effective way. The UMH/MEGA was built for operators seeking a

highly productive mulcher combined with an extremely efficient tiller. It can mulch trees up to 50 cm diameter and grind at a depth of 25 cm, all in one machine.



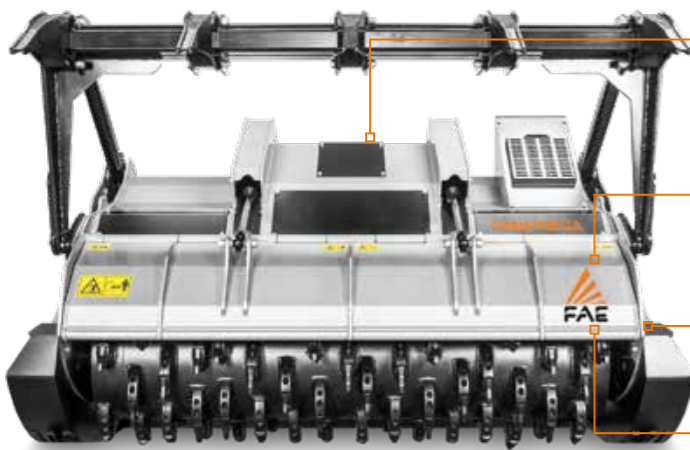
350-500 hp



Ø 50 cm max



Depth 25 cm



Z style self-ranging system for the PTO drive shaft/gearbox
helps keep the correct operating angle between the PTO shaft and the power take-off

Three rows of forged and hardened interchangeable counter-blades
for the longest working life while providing a finer product



Aggressive body design
the protruding rotor allows more material to process without dragging

Inner anti wear clad plates FCP
absorbs wear while protecting the frame



Standard hydraulic clutch transmission
protects the transmission at PTO engagement for smooth starting and improves machine performance

Adjustable extended 3 point hitch
fits perfectly with any type of tractor

Side transmission with belts in Poly-Chain® Carbon
for longer lasting performance

MAIN OPTIONS



Hydraulically adjustable skids
allow the rotor to penetrate deeply into the soil for grinding stumps and roots



W style self-aligning device between PTO drive shaft/gearbox
allows the mulcher to work at several angles without damaging the PTO



Hydraulic push frame
guides and pushes material away from carrier



Additional ripper for push frame
helps with the positioning of standing material while mulching

STANDARD EQUIPMENT

| | |
|---|---|
| Hydraulic rear hood | Hydraulic clutch transmission |
| Inner anti wear clad plates FCP | Gearbox with freewheel |
| Adjustable extended 3 point linkage | Gearbox with oil cooling system |
| Enclosed machine body | PTO shaft |
| Centralized greasing hub | Bolted-on rotor shafts (in forged steel) |
| Hydraulic hoses integrated in the frame | Hydraulic top link |
| Cylinder protection | Z style self ranging system of the PTO drive shaft/gearbox |
| Inside lateral protection | Forged and hardened interchangeable counter-blades |
| Dual row protection chains | Third row of interchangeable forged and hardened counter-blades |
| Poly-Chain® belts transmission | |

OPTIONS

| | |
|--|---------------------------------|
| Multiple tooth options | Special skids to go underground |
| W style self-aligning device between PTO drive shaft/gearbox | Hydraulic guard frame |
| Hydraulically adjustable skids | Extra ripper for push frame |

| MODEL | UMH/MEGA-225 | UMH/MEGA-250 |
|------------------------------------|--------------|--------------|
| Tractor (hp) | 350-500 | 350-500 |
| PTO (rpm) | 1000 | 1000 |
| Working width (mm) | 2320 | 2560 |
| Total width (mm) | 2820 | 3060 |
| Weight (kg) | 5970 | 6320 |
| Rotor diameter (mm) | 910 | 910 |
| Max shredding diameter (mm) | 500 | 500 |
| Max working depth (mm) | 250 | 250 |
| No. teeth type A/3+MH/3+BAZ | 94+2+4 | 106+2+4 |

ROTOR TYPE A



TOOTH A/3
(standard)



TOOTH A/3/HD
(option)



TOOTH MH/3
(side scraper)



TOOTH BAZ
(side scraper)

FORESTRY TILLERS

Forestry tillers are great for shredding and crushing stumps and deep roots underground on uncultivated land. Shredding even large-diameter stumps and uprooting leftover material deep in the soil, they clear land effectively. The quality of the materials and technology used make FAE forestry tillers unbeatably durable and reliable.



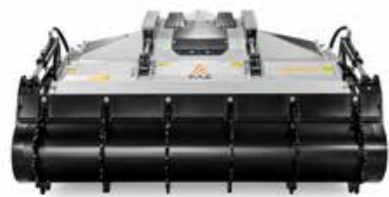
SSL/SPEED

Forestry tiller for PTO tractors with fixed teeth rotor.



SSL

Forestry tiller for PTO tractors with fixed teeth rotor.



SSM

Forestry tillers for tractors up to 300 hp.



SSH

Tiller for medium/high and extremely high power tractors.



FOR DEEP **WORK.**

| MODEL | 100 - 200 hp | 200 - 300 hp | 300 - 400 hp | 400 - 500 hp |
|------------------|--------------|--------------|--------------|--------------|
| SSL/SPEED | 110 - 220 hp | | | |
| SSL | 100 - 220 hp | | | |
| SSM | | 170 - 300 hp | | |
| SSH | 160 - 500 hp | | | |

FORESTRY TILLERS

SSL/SPEED

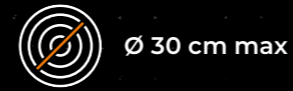
Forestry tiller for PTO tractors with fixed teeth rotor.

A Forestry Tiller designed to meet the needs of professionals who require both surface clearing and soil reclamation. This machine allows you to clean up crop residue and grind trees and stumps up to 30 cm diameter and 30 cm deep.

The optional push frame mounts to the support roller, while adjustable counter-blades are used to manually control the final product size.



110-220 hp



Ø 30 cm max



Depth 30 cm



Adjustable counter-blade for longer working life



Dual transmission with side gearbox increase power delivery to the rotor



STANDARD EQUIPMENT

| | |
|--------------------------------|--|
| Hydraulic rear hood | Friction clutches (SSL/SPEED/DT) |
| Enclosed machine body | PTO shaft with cam clutch |
| Inside lateral protection | Bolted-on rotor shafts (in forged steel) |
| Protection chains | Welded steel counter-blades |
| Transmission with side gearbox | Adjustable counter-blade (forest) |
| Gearbox with freewheel | |

OPTIONS

| | |
|------------------------|--------------------------|
| Multiple tooth options | Hydraulic guard frame |
| Hydraulic top link | Hydraulic support roller |

| MODEL | SSL/SPEED-150 | SSL/SPEED-175 | SSL/SPEED/DT-200 | SSL/SPEED/DT-225 | SSL/SPEED/DT-250 |
|------------------------------------|---------------|---------------|------------------|------------------|------------------|
| Tractor (hp) | 110-160 | 110-160 | 120-220 | 130-220 | 140-220 |
| PTO (rpm) | 1000 | 1000 | 1000 | 1000 | 1000 |
| Working width (mm) | 1600 | 1840 | 2080 | 2320 | 2560 |
| Total width (mm) | 1920 | 2160 | 2400 | 2640 | 2880 |
| Weight (kg) | 2000 | 2160 | 2600 | 2810 | 3030 |
| Rotor diameter (mm) | 600 | 600 | 600 | 600 | 600 |
| Max shredding diameter (mm) | 300 | 300 | 300 | 300 | 300 |
| Max working depth (mm) | 300 | 300 | 300 | 300 | 300 |
| No. teeth type B/3+C/3/SS | 44+4 | 50+4 | 58+4 | 66+4 | 74+4 |

Data refers to machine as standard. The technical data in this catalogue may be altered without prior notice.

MAIN OPTIONS



Hydraulic controlled roller helps with compaction and working uneven terrain



Hydraulic top link

ROTOR TYPE B



TOOTH B/3 (standard)



TOOTH B/3/HD (option)



TOOTH G/3 (option)



TOOTH G/3/HD (option)



TOOTH C/3/SS (side scraper)

FORESTRY TILLERS

SSL

Forestry tiller for PTO tractors with fixed teeth rotor.

This is the smallest model in FAE's line of Forestry Tillers. Thanks to its low weight and multiple working width options, the SSL fits a wide range of tractors. The transmission with side gearbox allows the rotor

to spin at a lower rpm than a traditional belt driven mulcher. This makes the transmission much more reliable, and ensures a deep, consistent grinding while also lowering tool wear.



100-220 hp



Ø 30 cm max



Depth 30 cm



Reinforced hydraulic hood helps provide a finer product while being more durable



Dual transmission with side gearbox increase power delivery to the rotor



STANDARD EQUIPMENT

| | |
|--------------------------------|--|
| Hydraulic rear hood | Gearbox with freewheel |
| Enclosed machine body | Friction clutches (SSL/DT) |
| Inside lateral protection | PTO shaft with cam clutch |
| Protection chains | Bolted-on rotor shafts (in forged steel) |
| Transmission with side gearbox | Flat pressed welded steel counter-blades |

OPTIONS

| | |
|------------------------|--------------------------|
| Multiple tooth options | Hydraulic support roller |
| Hydraulic top link | Two disc front plows |

| MODEL | SSL-150 | SSL-175 | SSL/DT-200 | SSL/DT-225 | SSL/DT-250 |
|------------------------------------|---------|---------|------------|------------|------------|
| Tractor (hp) | 100-160 | 110-160 | 120-220 | 130-220 | 140-220 |
| PTO (rpm) | 1000 | 1000 | 1000 | 1000 | 1000 |
| Working width (mm) | 1600 | 1840 | 2080 | 2320 | 2560 |
| Total width (mm) | 1920 | 2160 | 2400 | 2640 | 2880 |
| Weight (kg) | 2080 | 2260 | 2620 | 2810 | 2990 |
| Rotor diameter (mm) | 600 | 600 | 600 | 600 | 600 |
| Max shredding diameter (mm) | 300 | 300 | 300 | 300 | 300 |
| Max working depth (mm) | 300 | 300 | 300 | 300 | 300 |
| No. teeth type B/3+C/3/SS | 54+4 | 66+4 | 74+4 | 82+4 | 96+4 |

Data refers to machine as standard. The technical data in this catalogue may be altered without prior notice.

MAIN OPTIONS



Hydraulic controlled roller helps with compaction and working uneven terrain



Hydraulic top link

ROTOR TYPE B



TOOTH B/3
(standard)



TOOTH B/3/HD
(option)



TOOTH G/3
(option)



TOOTH G/3/HD
(option)



TOOTH C/3/SS
(side scraper)

FORESTRY TILLERS

SSM

Forestry tillers for tractors up to 300 hp.

SSM forestry tillers are able to shred roots and stumps up to 50 cm in diameter, down to a maximum working depth of 40 cm. Their main applications are plantation and nursery maintenance, vineyard and orchard upkeep, agriculture tilling and soil reclamation, and soil mixing. They boast wear-resistant Hardox plates, a central gearbox alignment system specially developed by FAE, a transmission with side gearbox, and an

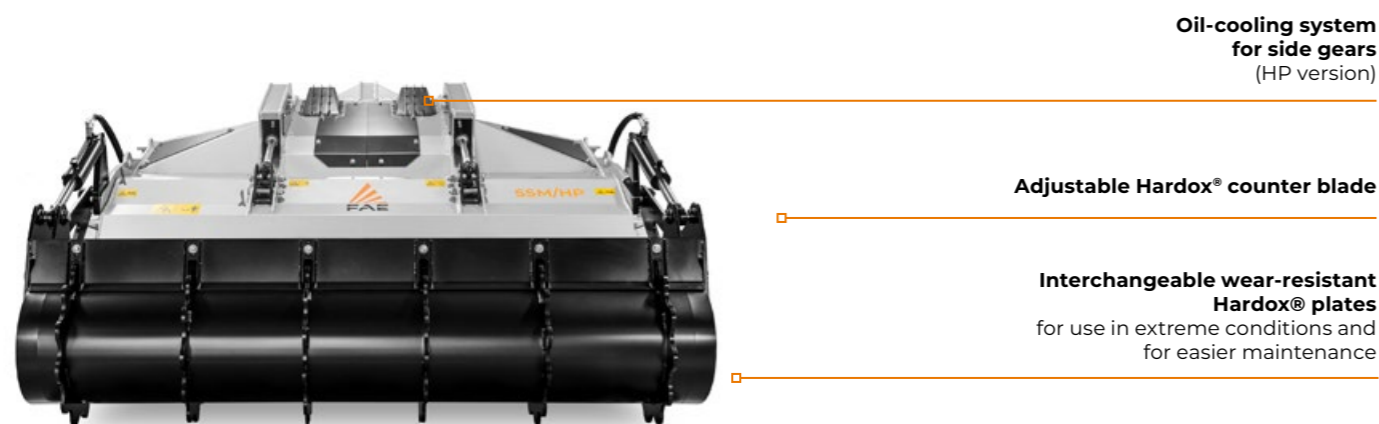
adjustable Hardox counter blade. Upon request, an adjustable hood grille, a dozer blade, and a rear hydraulic support roller are also available. The SSM comes standard with A/3 teeth, or with A/3/HD and F/3 teeth upon request. It is available in three widths: SSM-200, SSM-225 and SSM-250. These widths are also available for the HP versions.



170-300 hp

Ø 50 cm max

Depth 40 cm



Oil-cooling system for side gears
(HP version)

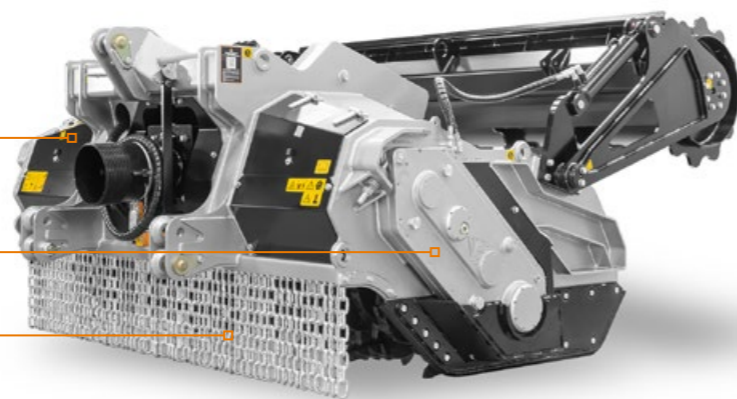
Adjustable Hardox® counter blade

Interchangeable wear-resistant Hardox® plates
for use in extreme conditions and for easier maintenance

Z style self-aligning system for the PTO drive shaft/gearbox
helps keep the correct operating angle between the PTO shaft and the power take-off

Stronger transmission for tractors up to 300 hp power
(SSM/HP-200, SSM/HP-225 and SSM/HP-250)

Protection chains



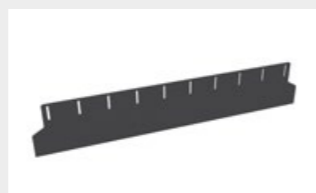
MAIN OPTIONS



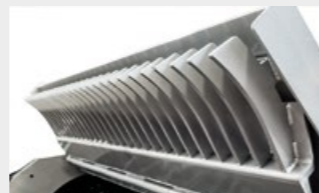
W style self-aligning device between PTO drive shaft/gearbox
allows the mulcher to work in several angles without damaging the PTO



Hydraulic controlled roller
helps with compaction and working uneven terrain



Dozing blade
to level the crushed material



Hood grille adjustable

STANDARD EQUIPMENT

| | |
|---|---|
| Hydraulically adjustable rear hood | Central PTO shaft with cam clutch |
| Enclosed, dust-resistant machine body | Interchangeable forged steel rotor shafts |
| Wear-resistant side plates | Hydraulic top link cylinder |
| Interchangeable protection chains | Z style self-aligning system |
| Transmission with side gearboxes | Adjustable Hardox® counter blade |
| Freewheel gearbox | PTO shaft support for machine at rest |
| Side PTO shafts with friction clutches | Side gearbox cooling system (SSM/HP) |
| Interchangeable wear-resistant Hardox® plates | |

OPTIONS

| | |
|------------------------------|-----------------------------------|
| Adjustable hood grille | Dozing blade |
| Multiple tooth options | Hydraulic support roller |
| W style self-aligning system | Adjustable forestry counter blade |

| MODEL | SSM-200 | SSM-225 | SSM-250 | SSM/HP-200 | SSM/HP-225 | SSM/HP-250 |
|------------------------------------|---------|---------|---------|------------|------------|------------|
| Tractor (hp) | 170-250 | 170-250 | 170-250 | 170-300 | 170-300 | 170-300 |
| PTO (rpm) | 1000 | 1000 | 1000 | 1000 | 1000 | 1000 |
| Working width (mm) | 2080 | 2320 | 2560 | 2080 | 2320 | 2560 |
| Total width (mm) | 2410 | 2650 | 2890 | 2410 | 2650 | 2890 |
| Weight (kg) | 3150 | 3400 | 3650 | 3200 | 3450 | 3700 |
| Rotor diameter (mm) | 670 | 670 | 670 | 670 | 670 | 670 |
| Max shredding diameter (mm) | 500 | 500 | 500 | 500 | 500 | 500 |
| Max working depth (mm) | 400 | 400 | 400 | 400 | 400 | 400 |
| No. teeth type A/3+MH/3 | 76+4 | 88+4 | 102+4 | 76+4 | 88+4 | 102+4 |

Data refers to machine as standard. The technical data in this catalogue may be altered without prior notice.

ROTOR TYPE A



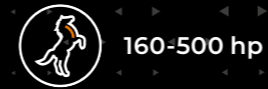
FORESTRY TILLERS

SSH

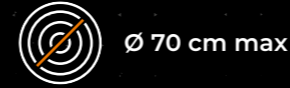
Tiller for medium/high and extremely high power tractors.

SSH forestry tillers for 160 to 500 hp tractors ensure superior performance and reliability. The large rotor makes it possible to shred stumps up to 70 cm in diameter, and more teeth shred better than ever, even for roots up to 50 cm deep.

The combination of quality materials and technology - such as the counter blade and the interchangeable internal wear plates - provides unmatched productivity and reliability. The SSH/HP model also comes with a gearbox cooling system.



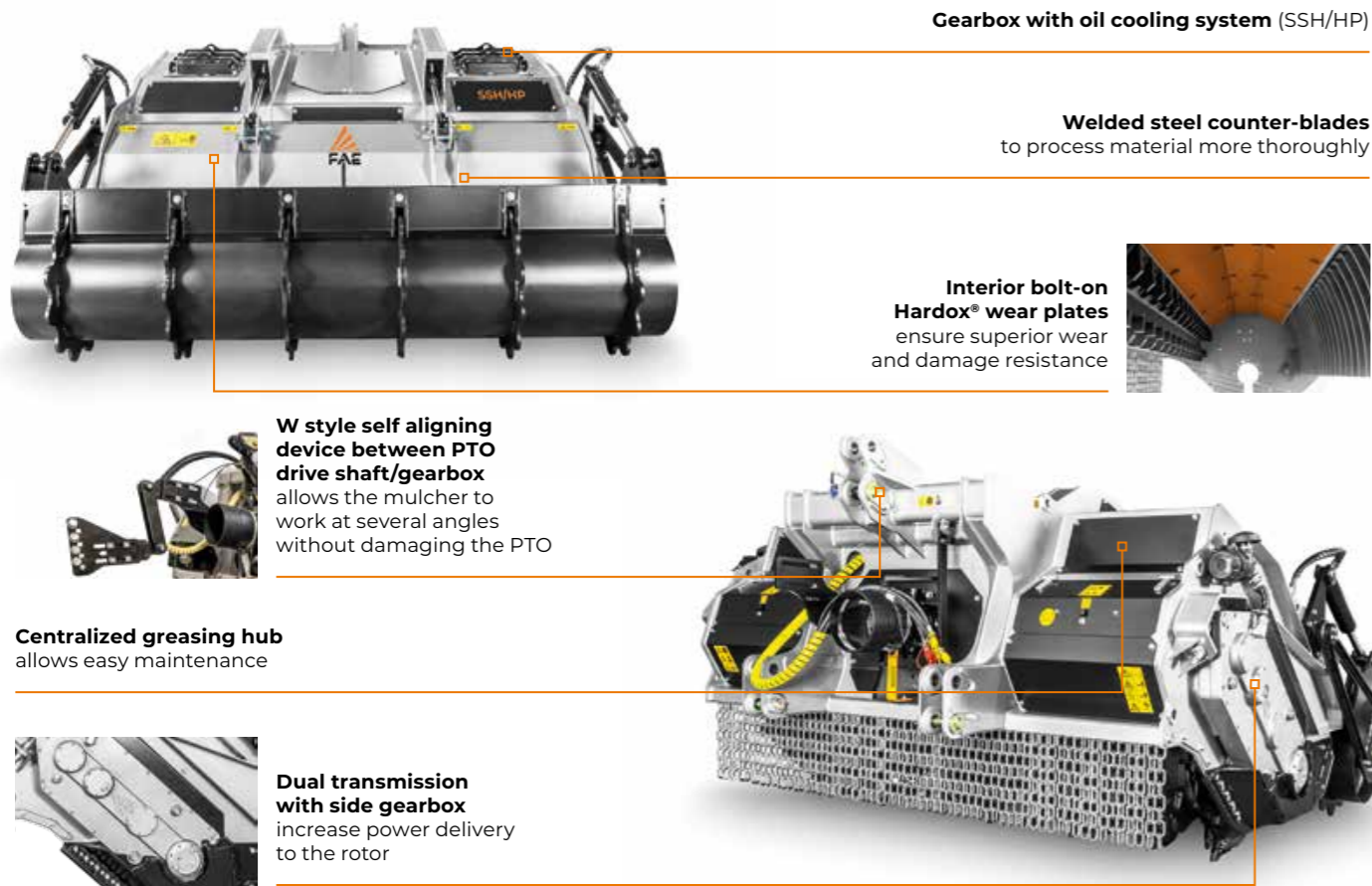
160-500 hp



Ø 70 cm max



Depth 50 cm



Gearbox with oil cooling system (SSH/HP)

Welded steel counter-blades
to process material more thoroughly

Interior bolt-on Hardox® wear plates
ensure superior wear and damage resistance

W style self aligning device between PTO drive shaft/gearbox
allows the mulcher to work at several angles without damaging the PTO

Centralized greasing hub
allows easy maintenance

Dual transmission with side gearbox
increase power delivery to the rotor

STANDARD EQUIPMENT

| | |
|--|--|
| Hydraulic rear hood | PTO shaft (SSH/HP) |
| Interchangeable inner antiwear plates in Hardox® | Friction clutches |
| Enclosed machine body | PTO shaft with cam clutch (SSH) |
| Inside lateral protection | Bolted-on rotor shafts (in forged steel) |
| Protection chains | Hydraulic top link |
| Transmission with side gearbox | Z style self ranging system of the PTO drive shaft/gearbox |
| Side gearbox with oil cooling system (SSH/HP) | Adjustable Hardox® counter-blade |
| Gearbox with freewheel | Special skids to go underground |
| Gearbox with oil cooling system (SSH/HP) | Centralized greasing hub |

OPTIONS

| | |
|---|--|
| Stronger transmission for tractors up to 360-400 hp (SSH-200, SSH-225, SSH-250) | Skids extension SSH-200, SSH-225, SSH-250, SSH/HP) |
| Multiple tooth options | Dozing blade |
| W style self aligning device between PTO drive shaft/gearbox | Hydraulic support roller |
| Adjustable counter-blade (forest) | Increased hydraulic roller |

| MODEL | SSH-150 | SSH-175 | SSH-200 | SSH-225 | SSH-250 | SSH/HP-225 | SSH/HP-250 |
|------------------------------------|---------|---------|----------------|----------------|----------------|------------|------------|
| Tractor (hp) | 160-280 | 180-280 | 200-360 (400*) | 220-360 (400*) | 240-360 (400*) | 360-500 | 360-500 |
| PTO (rpm) | 1000 | 1000 | 1000 | 1000 | 1000 | 1000 | 1000 |
| Working width (mm) | 1600 | 1840 | 2080 | 2320 | 2560 | 2320 | 2560 |
| Total width (mm) | 1980 | 2220 | 2472 | 2712 | 2952 | 2712 | 2952 |
| Weight (kg) | 3690 | 3920 | 4850 | 5200 | 5640 | 5310 | 5680 |
| Rotor diameter (mm) | 900 | 900 | 900 | 900 | 900 | 900 | 900 |
| Max shredding diameter (mm) | 700 | 700 | 700 | 700 | 700 | 700 | 700 |
| Max working depth (mm) | 500 | 500 | 500 | 500 | 500 | 500 | 500 |
| No. teeth type A/3+MH/3 | 58+4 | 66+4 | 78+4 | 88+4 | 98+4 | 88+4 | 98+4 |

Data refers to machine as standard. The technical data in this catalogue may be altered without prior notice.

*Stronger trasmission.

MAIN OPTIONS



Adjustable counter-blade (forest)
for additional processing of wood material



Hydraulic support roller or Wide hydraulic roller
produces fine-quality compacted soil faster



Independent Grid
for control of finer product; increased distance between the grid and the rear door allows a better material flow

ROTOR TYPE A



TOOTH A/3
(standard)



TOOTH A/3/HD
(option)



TOOTH F/3
(option)



TOOTH MH/3
(side scraper)

STUMP CUTTERS

Stump cutters are great for cutting and grinding stumps deep underground, shredding even large-diameter stumps and uprooting leftover material deep in the soil. The quality of the materials and technology used make FAE stump cutters unbeatably durable and reliable.



SCH

Stump cutter for tractors,
for individual stumps.



SCH/GT

Stump cutter for tractors,
for rows of stumps.



STUMP CUTTERS

STRAIGHT TO THE TARGET,
NO MATTER HOW DEEP.

| MODEL | 100 - 200 hp | 200 - 300 hp | 300 - 400 hp |
|--------|--------------|--------------|--------------|
| SCH | | 160 - 280 hp | |
| SCH/GT | | 180 - 350 hp | |

STUMP CUTTERS

SCH

Stump cutter for tractors, for individual stumps.

SCH is a stump cutter designed to remove individual stumps in wooded areas, parks and farmland cleared of tall trees. This head is perfect for 160 to 280 hp tractors and has a working depth of 50 cm. SCH has a hydraulic side shift system that lets the operator adjust to the working area without having to make additional maneuvers with the tractor.

It is extremely easy to use and shreds uniformly, even for extremely wide stumps. It is possible to mount either Standard or Heavy Duty teeth, ensuring superior performance in all sorts of terrain.



160-280 hp



Depth 50 cm



Transmission with belts



Hydraulic side shifting allows the stump cutter to move easily, quickly, and accurately while working close to plants and crops without damaging them



STANDARD EQUIPMENT

| | |
|----------------------------|--|
| Hydraulic side shifting | PTO shaft with cam clutch |
| Enclosed machine body | Bolted-on rotor shafts (in forged steel) |
| Dual row protection chains | Supporting service leg |
| Transmission with belts | |

OPTIONS

| | |
|------------------------|--------------------|
| Multiple tooth options | Hydraulic top link |
|------------------------|--------------------|

MODEL

SCH/SS/DT-55

| | |
|--------------------------------|---------|
| Tractor (hp) | 160-280 |
| PTO (rpm) | 1000 |
| Working width (mm) | 630 |
| Total width (mm) | 1800 |
| Weight (kg) | 2700 |
| Rotor diameter (mm) | 910 |
| Max working depth (mm) | 500 |
| No. teeth type A/3+MH/3 | 34+4 |

Data refers to machine as standard. The technical data in this catalogue may be altered without prior notice.

MAIN OPTIONS



Hydraulic top link

ROTOR TYPE A



TOOTH A/3
(standard)



TOOTH A/3/HD
(option)



TOOTH F/3
(option)



TOOTH MH/3
(side scraper)

STUMP CUTTERS

SCH/GT

Stump cutter for tractors, for rows of stumps.

The SCH/GT model is a stump cutter designed for shredding rows of stumps, for example in poplar groves or eucalyptus fields. This head is perfect for 180-350 hp tractors and has a working depth of 60 cm. It also comes with internal Hardox® wear plates. Its dual clutch transmission provides superior performance and excellent power management.

SCH/GT models (except for the SCH/GT-75 model) have a hydraulic side shift system that lets the operator adjust to the working area without having to make additional maneuvers with the tractor. It is extremely easy to use and shreds stumps uniformly.



180-350 hp



Depth 60 cm



Dual transmission with side gearbox increase power delivery to the rotor



Hydraulic side shifting allows the stump cutter to move easily, quickly, and accurately while working close to plants and crops without damaging them



STANDARD EQUIPMENT

| | |
|--|--|
| Hydraulic side shifting (excluding SCH/GT/DT-65) | Gearbox with freewheel |
| Enclosed machine body | PTO shaft with cam clutch |
| Inside lateral protection | Bolted-on rotor shafts (in forged steel) |
| Protection chains | Welded steel counter-blades |
| Transmission with side gearbox | Supporting service leg |

OPTIONS

| | |
|------------------------|--------------------|
| Multiple tooth options | Hydraulic top link |
|------------------------|--------------------|

| MODEL | SCH/GT/DT-65 | SCH/GT/DT-75 |
|--------------------------------|--------------|--------------|
| Tractor (hp) | 180-300 | 200-350 |
| PTO (rpm) | 1000 | 1000 |
| Working width (mm) | 730 | 810 |
| Total width (mm) | 1800 | 1980 |
| Weight (kg) | 2900 | 3690 |
| Rotor diameter (mm) | 900 | 1100 |
| Max working depth (mm) | 500 | 600 |
| No. teeth type A/3+MH/3 | 28+4 | 34+4 |

Data refers to machine as standard. The technical data in this catalogue may be altered without prior notice.

MAIN OPTIONS



Hydraulic top link

ROTOR TYPE A



TOOTH A/3
(standard)



TOOTH A/3/HD
(option)



TOOTH F/3
(option)



TOOTH MH/3
(side scraper)

STONE CRUSHERS

Designed for reclamation of uncultivated soil with stones.
Our stone crushers allow you to work in narrow spaces more easily while also maintaining an accurate lane.
Hardox® steel lines the crushing chamber, making our machines heavy duty and resistant to abrasion.
This makes your investment last longer and maintain production over its working life.



STCL
Stone crusher for PTO tractors with fixed teeth rotor.



STCM
Stone crusher for PTO tractors with fixed teeth rotor.



STCH
Stone crusher for PTO tractors with fixed teeth rotor.



RSL
Stone crusher for PTO tractors with fixed teeth rotor.



RSM
The stone crusher for difficult tasks.



RSH
FAE's top-of-the-line stone crushers.



THE POWER YOU'RE LOOKING FOR.

| MODEL | 0 - 100 hp | 100 - 200 hp | 200 - 300 hp | 300 - 400 hp | 400 - 500 hp |
|-------------|-------------|--------------|--------------|--------------|--------------|
| STCL | 70 - 150 hp | | | | |
| STCM | 80 - 280 hp | | | | |
| STCH | | | 280 - 400 hp | | |
| RSL | 80 - 190 hp | | | | |
| RSM | | | 200 - 360 hp | | |
| RSH | | | | 360 - 500 hp | |

STONE CRUSHERS

STCL

Stone crusher for PTO tractors with fixed teeth rotor.

The STCL is the smallest stone crusher FAE makes. It is extremely versatile thanks to its small dimension and lower weight. This makes it suitable for use in orchards and vineyards where stones can emerge due to soil erosion. An adjustable internal counter-blade allows you to obtain the desired final material size.

The hydraulically controlled rear door also helps in determining final product size. This attachment also has a specially mounted gearbox so while it sits in a low position, the PTO shaft still sits at an optimal angle.



70-150 hp



Ø 15 cm max (stones)



Depth 15 cm



Enclosed machine body protects internal components

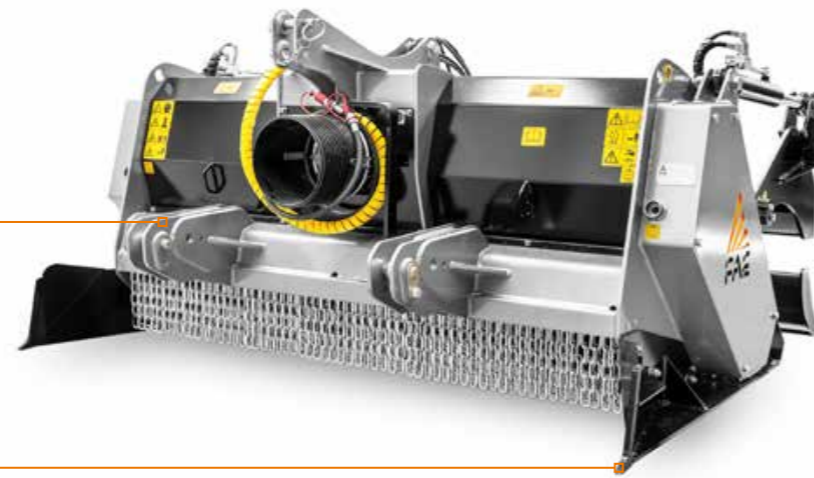
Adjustable Hardox® counter-blade effectively control the final product size



Adjustable extended 3 point hitch fits perfectly with any kind of tractor



Penetration skids help the machine to better penetrate the soil



STANDARD EQUIPMENT

| | |
|--|--|
| Hydraulic rear hood | Gearbox with freewheel |
| Inner anti wear clad plates FCP | Possibility to choose Transmission 540 / 1000 rpm (STCL) |
| Adjustable extended 3 point linkage (STCL) | PTO shaft with cam clutch |
| Enclosed machine body | Bolted-on rotor shafts (in forged steel) |
| Inside lateral protection | Flat pressed welded steel counter-blades |
| Dual row protection chains | Adjustable Hardox® counter-blade |
| Poly-Chain® belts transmission | Penetration skids |

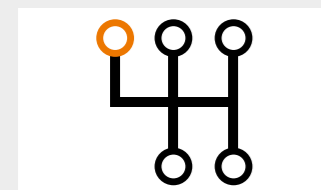
OPTIONS

| | |
|---------------------------------|-------------------------|
| Extended 3 point linkage (STCL) | Grader blade (road kit) |
| Hydraulic top link | Dozing blades |

| MODEL | STCL-100 | STCL-125 | STCL-150 | STCL-175 | STCL/DT-175 | STCL/DT-200 |
|---------------------------------------|----------|----------|----------|----------|-------------|-------------|
| Tractor (hp) | 70-120* | 80-120* | 90-120* | 100-120* | 100-150 | 120-150 |
| PTO (rpm) | 540-1000 | 540-1000 | 540-1000 | 540-1000 | 1000 | 1000 |
| Working width (mm) | 1110 | 1350 | 1590 | 1830 | 1830 | 2070 |
| Total width (mm) | 1414 | 1654 | 1894 | 2134 | 2134 | 2374 |
| Weight (kg) | 1230 | 1280 | 1440 | 1570 | 1600 | 1750 |
| Rotor diameter (mm) | 450 | 450 | 450 | 450 | 450 | 450 |
| Max shredding diameter (mm) | 150 | 150 | 150 | 150 | 150 | 150 |
| Max working depth (mm) | 150 | 150 | 150 | 150 | 150 | 150 |
| No. teeth type STCL/3 + C/3/SS | 22+4 | 26+4 | 32+4 | 38+4 | 38+4 | 42+4 |

Data refers to machine as standard. The technical data in this catalogue may be altered without prior notice.
*For 540 rpm tractors, max. power 100 hp.

MAIN OPTIONS



Possibility to choose transmission 540 / 1000 rpm (STCL-125)



Grader blade (road kit) for grading and compaction



Dozing blade to level the crushed material



TOOTH STCL/3 (standard)



TOOTH C/3/SS (side scraper)

STONE CRUSHERS

STCM

Stone crusher with fixed-tooth rotor for tractors up to 280 hp.

Stone crushers for 80-280 hp tractors. The wide opening for materials enables professionals to crush stones up to 30 cm in diameter and work as deep as 20 cm.

The STCM line has single and dual transmission models. Available in widths: 125, 150, 175, 200 and 225. The STCM can be equipped with STC/3, STC/3/HD, or STC/3/FP teeth.



80-280 hp



Ø 30 cm max



Depth 20 cm max



Completely closed/dust-resistant machine body
to protect the machine's transmission and components (STCM - STCM/HP)

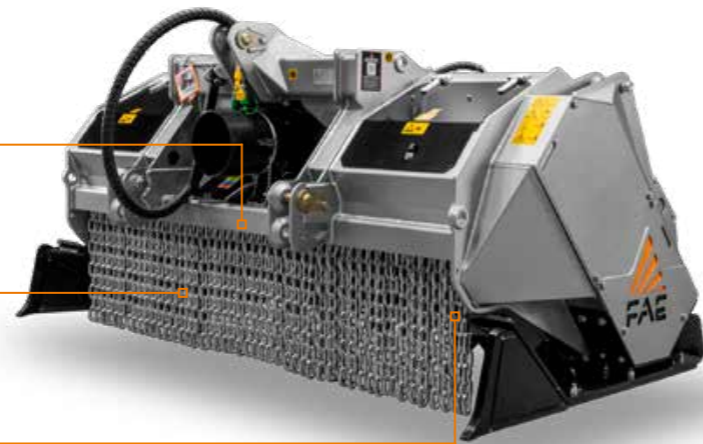
Hydraulic rear hood
for an optimal material sizing and control

Skids with interchangeable Hardox® shoes and ploughshares
allows an easy maintenance & an improved machine penetration into the soil

Hydraulic counter blade
for optimal grain size adjustment (STCM - STCM/HP)

Oversized material inlet
allows also to surface stones to enter the crushing chamber

Interchangeable Hardox® wear plates
for use in extreme conditions and for easier maintenance



STANDARD EQUIPMENT

| | |
|--|---|
| Enclosed, dust-resistant machine body (excluding STCM-125) | Central PTO shaft with cam clutch |
| Hydraulic rear hood | Interchangeable forged steel rotor shafts |
| Interchangeable wear-resistant Hardox® plates (excluding STCM-125) | Flat pressed welded Hardox® counter blades |
| Wear-resistant side plates | Adjustable Hardox® hydraulic counter blade (excluding STCM-125) |
| Bolt-on interchangeable protection chains (excluding STCM-125) | Adjustable Hardox® counter blade (STCM-125) |
| Interchangeable protection chains (STCM-125) | Adjustable skids |
| Trapezoidal belt transmission (excluding STCM-125) | Wear-resistant interchangeable Hardox® soles |
| Belt transmission (STCM-125) | Penetration skids |
| Freewheel gearbox | PTO shaft support for machine at rest |

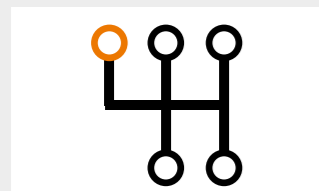
OPTIONS

| | |
|--|--|
| Hydraulic top link cylinder | Additional reinforced side plates (excluding STCM-125) |
| Dozing blade | Multiple tooth options |
| Grader blade (road kit) (excluding STCM-125) | |

| MODEL | STCM-125 | STCM-150 | STCM-175 | STCM-200 | STCM-225 | STCM/HP-200 | STCM/HP-225 |
|--------------------------------------|----------|-----------|-----------|-----------|-----------|-------------|-------------|
| Tractor (HP) | 80 - 110 | 150 - 220 | 160 - 220 | 170 - 220 | 180 - 220 | 200 - 280 | 200 - 280 |
| PTO (rpm) | 540-1000 | 1000 | 1000 | 1000 | 1000 | 1000 | 1000 |
| Working width (mm) | 1340 | 1584 | 1824 | 2064 | 2304 | 2064 | 2304 |
| Total width (mm) | 1760 | 2020 | 2260 | 2500 | 2740 | 2500 | 2740 |
| Weight (kg) | 1850 | 3000 | 3250 | 3550 | 3800 | 3600 | 3840 |
| Rotor diameter (mm) | 550 | 550 | 550 | 550 | 550 | 550 | 550 |
| Max shredding diameter (mm) | 300 | 300 | 300 | 300 | 300 | 300 | 300 |
| Max working depth (mm) | 200 | 200 | 200 | 200 | 200 | 200 | 200 |
| No. teeth type STC/3+STC/3/HD | 26+4 | 32+4 | 38+4 | 42+4 | 48+4 | 42+4 | 48+4 |

Data refers to machine as standard. The technical data in this catalogue may be altered without prior notice.

MAIN ACCESSORIES



Possibility to choose Transmission 540 / 1000 rpm
(STCM-125)



Grader blade (road kit)
for grading and compaction
(STCM - STCM/HP)



Hydraulic top link
for an optimal working depth control



Dozing blade
to level the crushed material



TOOTH STC/3
(standard)



TOOTH STC/3/HD
(optional)



TOOTH STC/3/FP
(optional)



TOOTH STC/3/HD
(Side scraper)

STONE CRUSHERS


STCH

Stone crusher for PTO tractors with fixed teeth rotor.

FAE renews the existing STCH range, adapting to the most powerful tractors (from 280 to 400 hp), with a maximum operating depth of 25 cm and the ability to crush stones up to 50 cm in diameter. Among the main technical innovations there is the hydraulic counter blade that can be adjusted directly from the tractor's cab, the oversized door and interchangeable

internal Hardox® protections. It is also equipped with a new side-scraper system to limit side wear, adjustable skids, as well as interchangeable protection chains. The three models available (with working widths of 200, 225 and 250 cm) make it perfect for different jobs, particularly to treat soils with large quantities of moving stones.

 280-400 hp

 Ø 50 cm max (stones)

 Depth 25 cm



Completely closed/dust-resistant machine body to protect the machine's transmission and components



Hydraulic rear hood for an optimal material sizing and control



Skids with interchangeable Hardox® shoes and ploughshares allows an easy maintenance & an improved machine penetration into the soil

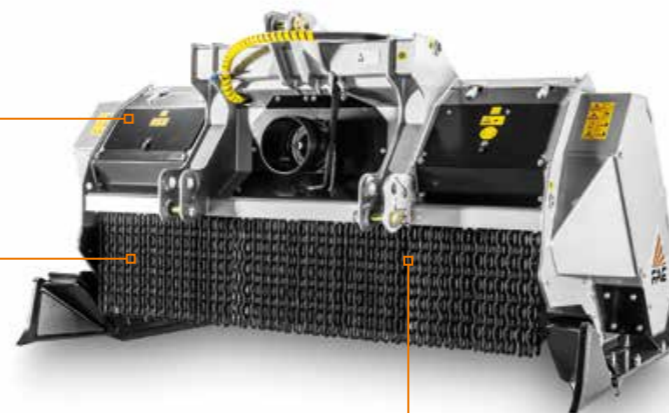


Hydraulic counter-blade allows to check the size of the shredded material directly from the tractor cab

Oversized material inlet allows also to surface stones to enter the crushing chamber



Interchangeable internal Hardox® wear plates for use in extreme conditions and for easier maintenance



MAIN OPTIONS



Grader blade (road kit) for grading and compaction



Hydraulic top link for an optimal working depth control



Dozing blade to level the crushed material



Dozing blade with springs system to level and compact the crushed material, creating a uniform base

STANDARD EQUIPMENT

| | |
|--|--|
| Hydraulic rear hood | Gearbox with freewheel |
| Interchangeable inner antiwear plates in Hardox® | PTO shaft |
| Enclosed machine body | Cam clutch on side PTO |
| Centralized greasing hub | Bolted-on rotor shafts (in forged steel) |
| Inside lateral protection | Adjustable Hardox® counter-blade |
| Dual row protection chains | Adjustable skids |
| Transmission with belts | Penetration skids |
| Flat pressed welded steel counter-blades | |

OPTIONS

| | |
|------------------------|----------------------------------|
| Multiple tooth options | Grader blade (road kit) |
| Hydraulic top link | Dozing blades with spring system |
| Dozing blade | |

| MODEL | STCH-200 | STCH-225 | STCH-250 |
|---|----------|----------|----------|
| Tractor (hp) | 280-400 | 280-400 | 280-400 |
| PTO (rpm) | 1000 | 1000 | 1000 |
| Working width (mm) | 2080 | 2320 | 2560 |
| Total width (mm) | 2566 | 2806 | 3046 |
| Weight (kg) | 4850 | 5050 | 5250 |
| Rotor diameter (mm) | 700 | 700 | 700 |
| Max shredding diameter (mm) | 500 | 500 | 500 |
| Max working depth (mm) | 250 | 250 | 250 |
| No. teeth type STC/3+STC/3/HD+STC/FP | 50+4+4 | 56+4+4 | 62+4+4 |

Data refers to machine as standard. The technical data in this catalogue may be altered without prior notice.



TOOTH STC/3
(standard)



TOOTH STC/3/HD
(option)



TOOTH STC/3/FP
(option)



TOOTH STC/3/HD
(side scraper)



TOOTH STC/FP
(side scraper)

STONE CRUSHERS

RSL

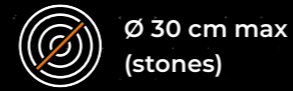
Stone crusher for PTO tractors with fixed teeth rotor.

The RSL is a multifunction head that enables crushing of stones and milling of slabs of rock, to a depth of 28 cm. The compact size, low weight and minimum operating width of 100 cm make it perfect in limited spaces. The gear transmission enables operation with

constantly optimal levels of torque and power. The dedicated teeth guarantee optimal results in the presence of stones and slabs of rock. The crushing chamber is protected by Hardox coatings to offer maximum wear resistance even in the most demanding conditions.



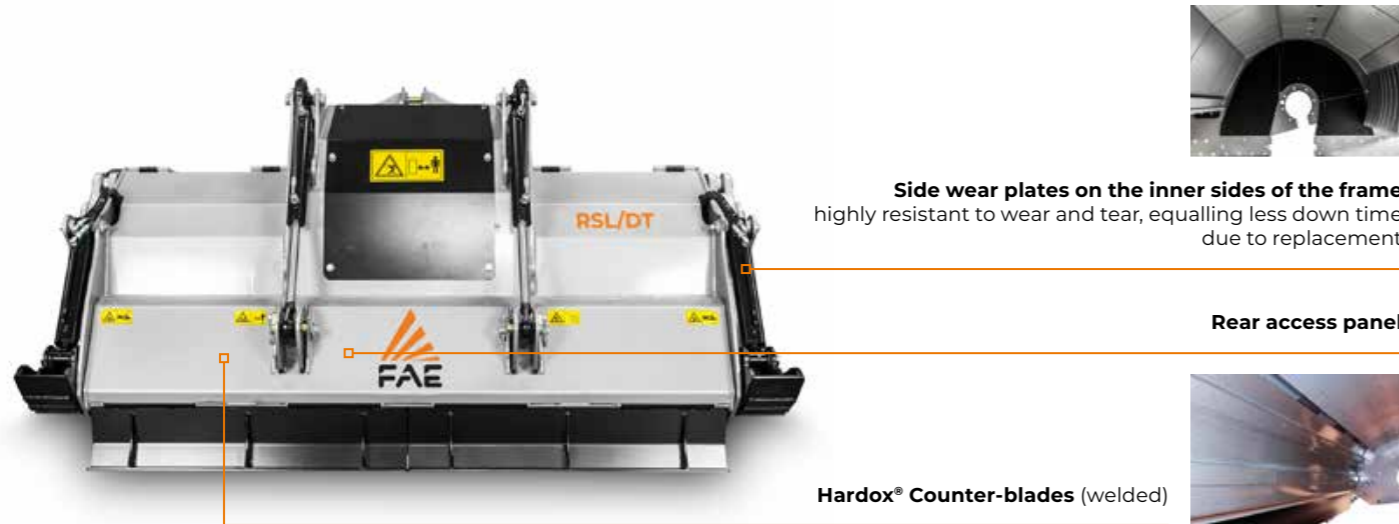
80-190 hp



Ø 30 cm max (stones)



Depth 28 cm



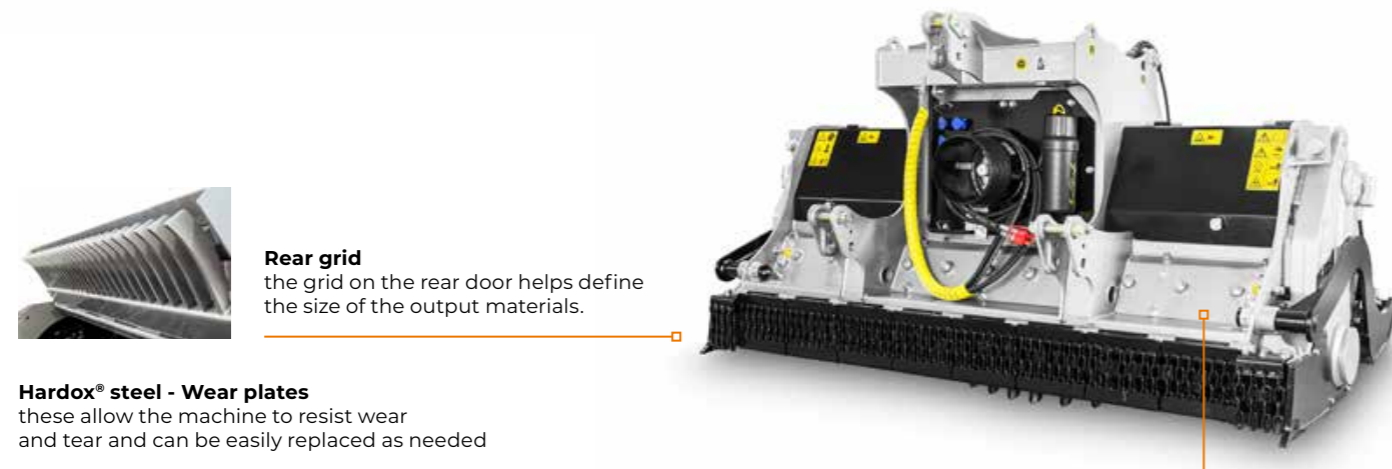
Side wear plates on the inner sides of the frame highly resistant to wear and tear, equalling less down time due to replacement



Rear access panel



Hardox® Counter-blades (welded)



Rear grid the grid on the rear door helps define the size of the output materials.

Hardox® steel - Wear plates these allow the machine to resist wear and tear and can be easily replaced as needed

MAIN OPTIONS



Hydraulic top link



Bolt-on chain's protection plates



Multiple tooth options



The **Water Spray System** (Basic & High Flow) cools the teeth to help them last longer

STANDARD EQUIPMENT

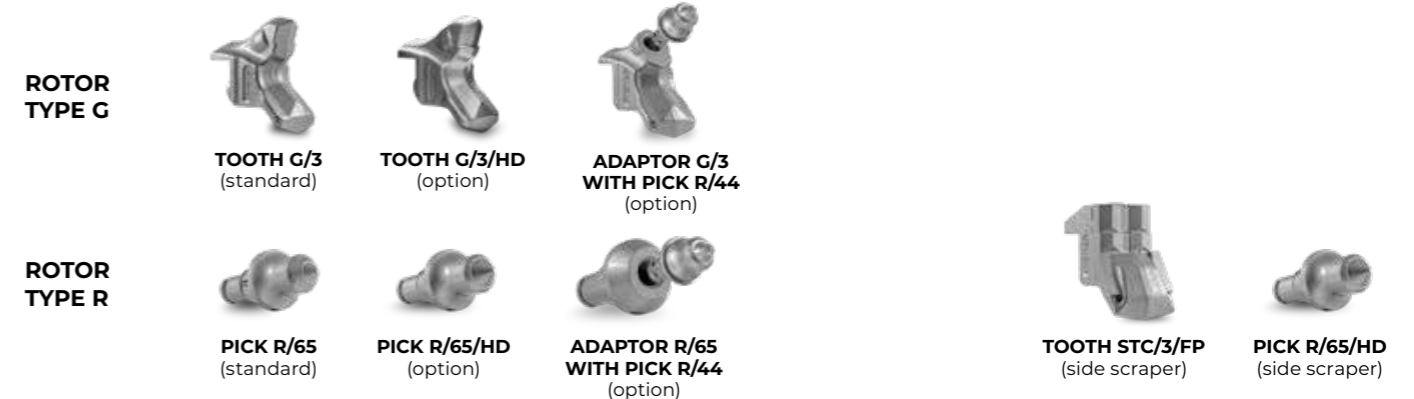
| | |
|--|--|
| Hydraulic rear hood | Gearbox with freewheel |
| Interchangeable inner antiwear plates in Hardox® | Friction clutches (RSL/DT) |
| Enclosed machine body | PTO shaft with cam clutch |
| Bolted grid on rear hood | Bolted-on rotor shafts (in forged steel) |
| Inside lateral protection | Flat pressed welded steel counter-blades |
| Protection chains | Hydraulically adjustable skids |
| Transmission with side gearbox | Dozing blades |

OPTIONS

| | |
|-----------------------------------|---|
| Bolt-on chain's protection plates | Water spray system WSS Basic |
| Multiple tooth options | Water spray system WSS High Flow (RSL/DT) |
| Hydraulic top link | Extended 3 point linkage (RSL) |

| MODEL | RSL-100 | RSL-125 | RSL-150 | RSL/DT-175 | RSL/DT-200 | RSL/DT-225 |
|---|---------|---------|---------|------------|------------|------------|
| Tractor (hp) | 80-120 | 90-120 | 100-120 | 120-190 | 130-190 | 140-190 |
| PTO (rpm) | 540 | 540 | 540 | 1000 | 1000 | 1000 |
| Working width (mm) | 1000 | 1240 | 1480 | 1720 | 1960 | 2200 |
| Total width (mm) | 1410 | 1650 | 1890 | 2130 | 2370 | 2610 |
| Weight (Kg) | 1600 | 1800 | 1960 | 2350 | 2500 | 2650 |
| Max shredding diameter (mm) | 300 | 300 | 300 | 300 | 300 | 300 |
| Working depth (mm) (Max. 1-Max. 2) | 150-280 | 150-280 | 150-280 | 150-280 | 150-280 | 150-280 |
| ROTOR G/3 | | | | | | |
| No. teeth type G/3+STC/3/FP | 28+6 | 36+6 | 42+6 | 50+6 | 60+6 | 70+6 |
| Rotor diameter (mm) | 595 | 595 | 595 | 595 | 595 | 595 |
| Working depth (mm) (Max. 1-Max. 2) | 160-280 | 160-280 | 160-280 | 160-280 | 160-280 | 160-280 |
| ROTOR R | | | | | | |
| No. picks type R/65+R/65/HD | 58+16 | 74 +16 | 98+16 | 114+16 | 138+16 | 154+16 |
| Rotor diameter (mm) | 612 | 612 | 612 | 612 | 612 | 612 |

Max. 1: with rotor only **Max. 2:** maximum depth (maximum working depth depending on ground conditions). This information refers to the machine equipped as standard. The technical data in this catalogue may be altered without prior notice.



ROTOR TYPE G



TOOTH G/3 (standard)



TOOTH G/3/HD (option)



ADAPTOR G/3 WITH PICK R/44 (option)

ROTOR TYPE R



PICK R/65 (standard)



PICK R/65/HD (option)



ADAPTOR R/65 WITH PICK R/44 (option)



TOOTH STC/3/FP (side scraper)



PICK R/65/HD (side scraper)

STONE CRUSHERS

RSM

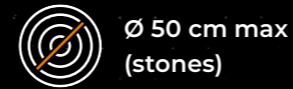
The stone crusher for difficult tasks.

RSM models are designed to crush slabs of rock and stones up to 50 cm in diameter and 40 cm deep. They work with 200-360 hp tractors and have a working width of 200-230 cm. FAE's RSM line is made for difficult farmland clearing work in places where large rocks and stones need to be cleared to prepare the field for agricultural use.

Its wide opening guides large material towards the rotor and helps maintain consistently high performance when working the soil. An adjustable counterblade makes it possible to crush material to the desired fineness.



200-360 hp



Ø 50 cm max (stones)



Depth 40 cm

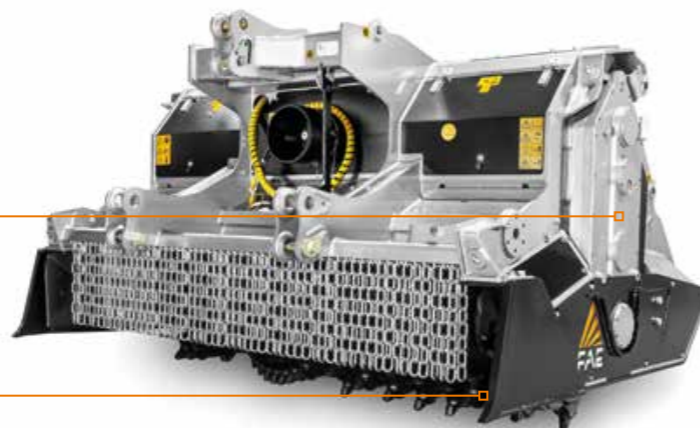


Structural frame in steel
maximum strength and durability
in heavy duty operations

**Interchangeable
Hardox® anti wear plates**
quick and easy maintenance



**Oil-cooling system
for side gears**
greater efficiency and lifespan
(optional for RSM)



Wide opening
to efficiently process more material

MAIN OPTIONS



Rear hood grill
allows larger material to be
held back and crushed again
for optimum results



**Adjustable steel
dosing blade**
perfect distribution
of the crushed material



Hydraulic top link
precise control over operations



**Steel dosing blades with
spring system**
excellent even distribution of
material and precompaction

STANDARD EQUIPMENT

| | |
|--|---|
| Hydraulic rear hood | Friction clutches |
| Interchangeable inner antiwear plates in Hardox® | PTO shaft with cam clutch (RSM) |
| Enclosed machine body | PTO shaft (RSM/HP) |
| Inside lateral protection | Bolted-on rotor shafts (in forged steel) |
| Protection chains | Adjustable Hardox® counter-blade |
| Transmission with side gearbox | Penetration skids |
| Gearbox with freewheel | Side gearboxes with oil cooling system (RSM/HP) |

OPTIONS

| | |
|--------------------------|--|
| Bolted grid on rear hood | Dozing blade |
| Multiple tooth options | Dozing blades with spring system |
| Hydraulic top link | Side gearbox with oil cooling system (RSM) |

| MODEL | RSM-200 | RSM-225 | RSM/HP-200 | RSM/HP-225 |
|---|---------|---------|------------|------------|
| Tractor (hp) | 200-300 | 220-300 | 300-360 | 300-360 |
| PTO (rpm) | 1000 | 1000 | 1000 | 1000 |
| Working width (mm) | 2080 | 2320 | 2080 | 2320 |
| Total width (mm) | 2490 | 2730 | 2490 | 2730 |
| Weight (kg) | 5160 | 5590 | 5160 | 5590 |
| ROTOR G/3 | | | | |
| Rotor diameter (mm) | 940 | 940 | 940 | 940 |
| Working depth (Max. 1-Max.2)(mm) | 2080 | 2320 | 2080 | 2320 |
| ROTOR R/65 | | | | |
| Rotor diameter (mm) | 915 | 915 | 915 | 915 |
| Working depth (Max. 1-Max.2)(mm) | 237-400 | 237-400 | 237-400 | 237-400 |
| Max shredding diameter (mm) | 500 | 500 | 500 | 500 |
| No. teeth type R/65 | 158 | 176 | 158 | 176 |

Max. 1: with rotor only Max. 2: maximum depth (maximum working depth depending on ground conditions).
Data refers to machine as standard. The technical data in this catalogue may be altered without prior notice.

ROTOR TYPE G



TOOTH G/3
(standard)



TOOTH G/3/HD
(option)

ROTOR TYPE R



PICK R/65
(option)



PICK R/65/HD
(option)



TOOTH STC/3/FP
(side scraper)



TOOTH STC/FP
(side scraper)

STONE CRUSHERS

RSH

FAE's top-of-the-line stone crushers.

RSH is FAE's most advanced stone crusher. It is suited for crushing slabs of rock and stones up to 50 cm in diameter and 50 cm deep. It works with 360-500 hp tractors and has a working width of 210-260 cm. RSH is made for difficult farmland clearing work in places where large rocks and stones need to be cleared to prepare the field for agricultural use.

Its wide opening guides large material towards the rotor and, in combination with the adjustable counterblade, helps maintain consistently high performance when working the soil.



360-500 hp



Ø 50 cm max (stones)



Depth 50 cm

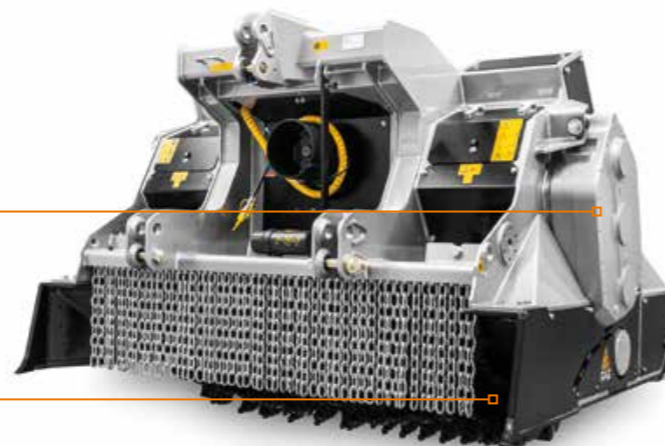


Structural frame in steel
maximum strength and durability
in heavy duty operations

Interchangeable Hardox® anti wear plates
quick and easy maintenance



Side reduction gears and central gearbox with oilcooling system
maximum productivity and efficiency
maintained in all working conditions



Wide opening
to efficiently process more material

MAIN OPTIONS



Rear hood grill
allows larger material to be held back and crushed again for optimum results



Adjustable steel dosing blade
perfect distribution of the crushed material



Hydraulic top link
precise control over operations

STANDARD EQUIPMENT

| | |
|--|--|
| Hydraulic rear hood | Gearbox with freewheel |
| Interchangeable inner antiwear plates in Hardox® | Gearbox with oil cooling system |
| Enclosed machine body | PTO shaft |
| Inside lateral protection | Friction clutches |
| Protection chains | Bolted-on rotor shafts (in forged steel) |
| Transmission with side gearbox | Adjustable Hardox® counter-blade |
| Side gearbox with oil cooling system | Penetration skids |

OPTIONS

| | |
|--------------------------|--------------------|
| Bolted grid on rear hood | Hydraulic top link |
| Multiple tooth options | Dozing blade |

| MODEL | RSH/HP-200 | RSH/HP-225 | RSH/HP-250 |
|---|------------|------------|------------|
| Tractor (hp) | 360-500 | 360-500 | 360-500 |
| PTO (rpm) | 1000 | 1000 | 1000 |
| Working width (mm) | 2107 | 2347 | 2587 |
| Total width (mm) | 2670 | 2910 | 3150 |
| Weight (kg) | 7050 | 7450 | 7850 |
| Max shredding diameter (mm) | 500 | 500 | 500 |
| ROTOR G/3 | | | |
| Rotor diameter (mm) | 1115 | 1115 | 1115 |
| Working depth (Max. 1-Max.2)(mm) | 360-500 | 360-500 | 360-500 |
| No. teeth type G/3 | 104 | 116 | 132 |
| type STC/3/FP+STC/FP | 4+4 | 4+4 | 4+4 |
| ROTOR R | | | |
| Rotor diameter (mm) | 1065 | 1065 | 1065 |
| Working depth (Max. 1-Max.2)(mm) | 345-500 | 345-500 | 345-500 |
| No. picks type R/65 | 166 | 200 | 220 |

Max. 1: with rotor only Max. 2: maximum depth (maximum working depth depending on ground conditions).
Data refers to machine as standard. The technical data in this catalogue may be altered without prior notice.

ROTOR TYPE G



TOOTH G/3
(standard)



TOOTH G/3/HD
(option)

ROTOR TYPE R



PICK R/65
(option)



TOOTH STC/3/FP
(side scraper)



TOOTH STC/FP
(side scraper)

MULTITASKS

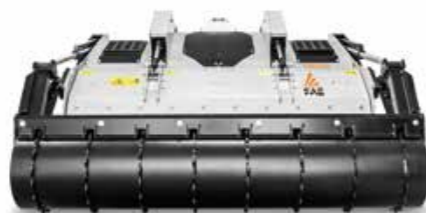
FAE multitask units are designed for a multitude of applications and terrains. These highly versatile machines combine the features and efficiency of our stone crushers and tillers with the mulching power of our forestry mulchers. With multiple sizes of machines to choose from, FAE offers the most comprehensive selection of heavy duty attachments to fit your land reclaiming needs.



SFL
Stone crusher, mulcher and forestry tiller for tractors from 130 hp.



SFM
Stone crusher, forestry tiller and mulcher for PTO tractors with fixed tooth rotor.



SFH
Stone crusher, forestry tiller and mulcher for PTO tractors with fixed teeth rotor.



MULTITASKS

THREE GOALS WITH EQUAL EFFICIENCY.

| MODEL | 100 - 200 hp | 200 - 300 hp | 300 - 400 hp | 400 - 500 hp |
|------------|--------------|--------------|--------------|--------------|
| SFL | 130 - 220 hp | | | |
| SFM | | 160 - 300 hp | | |
| SFH | | | 300 - 500 hp | |

MULTITASKS

SFL

Stone crusher, mulcher and forestry tiller for tractors from 130 hp.

Multitask head for 130 to 220 hp tractors. The SFL can shred wood, shrubs, roots up to 15 cm in diameter, stumps up to 25 cm in diameter and crush stones up to 10 cm in diameter, operating at depths down to 20 cm. Top features include the adjustable counter blade, the anti-wear Hardox

plates, the hydraulic hood, and the hydraulic support roller (optional). The SFL is available in two widths: SFL-200 and SFL-225, both with dual gear transmission. The head mounts a rotor with K/3 teeth.



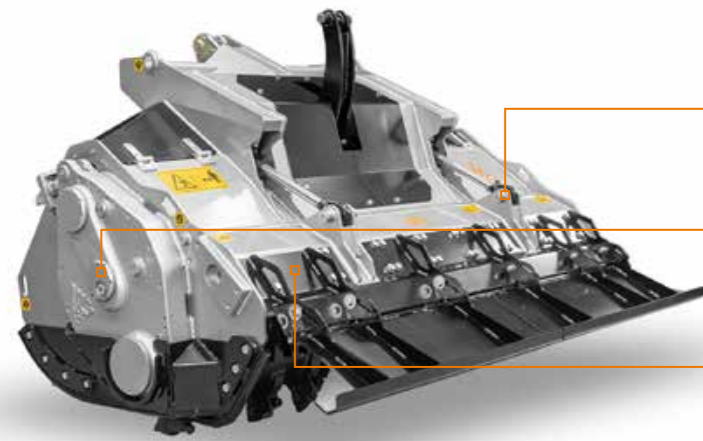
130-220 hp



Ø 10 cm max (stones)
Ø 15 cm max (trees)
Ø 25 cm max (stump)



Depth 20 cm



Hydraulically adjustable rear hood

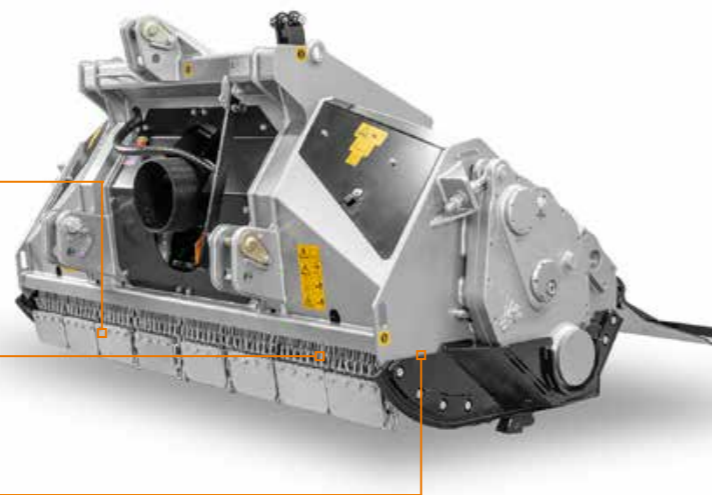
Transmission with side gearbox
maximize the power delivered to the rotor

Interchangeable bolt-on counter blades
for fine mulching and easy maintenance

Bolt-on interchangeable protection chains

Adjustable Hardox® counter blade
to effectively control the final product size

Interchangeable wear-resistant Hardox® plates
for use in extreme conditions and for easier maintenance



MAIN OPTIONS



Hood grille



Hydraulic support roller



Z style self-aligning system



W style self-aligning system

STANDARD EQUIPMENT

| | |
|---|---|
| Hydraulically adjustable rear hood | Central PTO shaft with cam clutch |
| Interchangeable wear-resistant Hardox® plates | Interchangeable forged steel rotor shafts |
| Wear-resistant side plates | Interchangeable bolt-on counter blades |
| Bolt-on interchangeable protection chains | Adjustable Hardox® counter blade |
| Transmission with side gearbox | Skids to go underground |
| Freewheel gearbox | PTO shaft support for machine at rest |
| Side PTO shafts with friction clutches | Rotor with teeth K/3 |

OPTIONS

| | |
|------------------------------|------------------------------|
| Hood grille | Z style self-aligning system |
| Flaps with screws for chains | W style self-aligning system |
| Central PTO shaft yoke | Dozing blades |
| Hydraulic top link cylinder | Hydraulic support roller |

| MODEL | SFL-200 | SFL-225 |
|--------------------------------------|---------|---------|
| Tractor (hp) | 130-220 | 130-220 |
| PTO (rpm) | 1000 | 1000 |
| Working width (mm) | 2080 | 2320 |
| Total width (mm) | 2406 | 2646 |
| Weight (kg) | 2450 | 2600 |
| Rotor diameter (mm) | 555 | 555 |
| Max shredding diameter | | |
| Stones (mm) | 100 | 100 |
| Trees (mm) | 150 | 150 |
| Stump (mm) | 250 | 250 |
| Max working depth (mm) | 200 | 200 |
| No. teeth type K/3+C/3/SS+BAZ | 52+6+4 | 58+6+4 |

Options may have reflects on weights and dimensions.



TOOTH K/3
(standard)



TOOTH C/3/SS
(side scraper)



TOOTH BAZ
(side scraper)

MULTITASKS

SFM

Stone crusher, forestry tiller and mulcher for PTO tractors with fixed tooth rotor.

The SFM is the answer to a very demanding market and tough applications. This unit combines the functionality and efficiency of a forestry mulcher, forestry tiller and rock crusher. The SFM is equipped with interchangeable bolt-on counter blades,

FCP inserts (FAE clad plate) and grill making this machine unique in its category. These options along with FAE's new smoother, more aggressive design differentiate FAE from the rest.

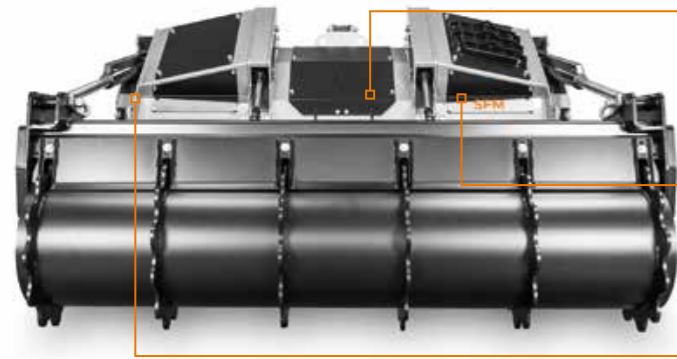


160-300 hp

Ø 20 cm max (stones)
Ø 35 cm max (trees)
Ø 45 cm max (stump)

Depth 30 cm

Z style self ranging system of the PTO drive shaft/gearbox helps keep the correct operating angle between the PTO shaft and the power take-off



Hydraulically controlled rear door adjust final product size while machine is working



Forged and hardened interchangeable counter-blades for longest working life



Adjustable extended 3 point linkage fits perfectly with any kind of tractor

Transmission with side gearbox maximize the power delivered to the rotor



System protection chains the chains are fixed on plate and these plates screwed to the frame



MAIN OPTIONS



W style self aligning device between PTO drive shaft/gearbox allows the machine to work at several angles without damaging the PTO



Bolted grid on rear door allows more adjustment of the final material size



Hydraulically adjustable skids allow you to control the rotor depth and prevent material from exiting out the sides



Hydraulic support roller (D. 36 cm - D. 51 cm) helps with compaction and working uneven terrain

STANDARD EQUIPMENT

| | |
|--|--|
| Hydraulic rear hood | Side gearbox with oil cooling system |
| Inner anti wear clad plates FCP | Gearbox with freewheel |
| Interchangeable inner antiwear plates in Hardox® | Friction clutches |
| Adjustable extended 3 point linkage | PTO shaft with cam clutch |
| Transmission with side gearbox | Bolted-on rotor shafts (in forged steel) |
| Hydraulic hoses integrated in the frame | Hydraulic top link |
| Cylinder protection | Z style self ranging system of the PTO drive shaft/gearbox |
| Inside lateral protection | Forged and hardened interchangeable counter-blades |
| Bolted on protection chains | Adjustable Hardox® counter-blade |

OPTIONS

| | |
|--|--------------------------------|
| Bolted grid on rear hood | Hydraulically adjustable skids |
| Bolt-on chain's protection plates | Hydraulic push frame |
| High Speed Transmission | Dozing blades |
| W style self aligning device between PTO drive shaft/gearbox | Hydraulic support roller |

| MODEL | SFM-200 | SFM-225 | SFM-250 |
|---|---------|---------|---------|
| Tractor (hp) | 160-300 | 170-300 | 180-300 |
| PTO (rpm) | 1000 | 1000 | 1000 |
| Working width (mm) | 2070 | 2310 | 2550 |
| Total width (mm) | 2390 | 2630 | 2870 |
| Weight (kg) | 3750 | 4050 | 4350 |
| Rotor diameter (mm) | 670 | 670 | 670 |
| Max shredding diameter stones (mm) | 200 | 200 | 200 |
| trees (mm) | 350 | 350 | 350 |
| stump (mm) | 450 | 450 | 450 |
| Max working depth (mm) | 300 | 300 | 300 |
| No. teeth type F/3+STC/3/FP+BAZ | 50+6+4 | 58+6+4 | 62+6+4 |

Data refers to machine as standard. The technical data in this catalogue may be altered without prior notice.



TOOTH F/3
(standard)



TOOTH STC/3/FP
(side scraper)



TOOTH BAZ
(side scraper)

Original FAE tools

UNMATCHED PERFORMANCE



The technical data in this catalog may be altered without prior notice.
The information and images in this document are not binding.
The weight is approximate and refers to machine without options.
The data in this catalog must be confirmed by the sales department.
Photographs may include accessories and equipment
not supplied as standard. FAE S.p.A. reserves
the right to make changes at any time, without prior warning.



TOOTH A/3



TOOTH A/3/HD



TOOTH F/3



TOOTH B/3



TOOTH B/3/HD



TOOTH G/3



TOOTH G/3/HD



TOOTH C/3



TOOTH C/3/HD



TOOTH STCL/3



TOOTH I



TOOTH K/3



TOOTH STC/FP



TOOTH MH/3 (L)



TOOTH MH/3 (R)



TOOTH C/3/SS (L)



TOOTH C/3/SS (R)



TOOTH C/3/MINI



TOOTH BAZ



TOOTH STC/3



TOOTH STC/3/HD



TOOTH STC/3/FP



BLADE BL



BLADE BL/MINI



PICK R/65



PICK R/65/HD



HAMMER FMM

